

Assembly Manual & Part List 安装说明及零件列表

**SUPER
RIDER**

闪电骑士
SR4

1:4 SCALE RC DIRT BIKE
1:4 遥控电动越野摩托车

SKYRC 

The Assembly Manual & Part List is only for reference.
此安装说明及零件列表仅供参考。



TABLE OF CONTENTS 目录

REQUIRED TOOLS FOR ASSEMBLY 装配工具.....	02
ASSEMBLY PROCEDURE 装配过程.....	03
PART LIST 零件列表.....	27
TROUBLE SHOOTING 疑难解答.....	37
WARRANTY 保修条款.....	37



IMPORTANT NOTICE

注意事项

SKYRC is unable to ensure that the user will follow the instructions supplied with the bike, nor can SKYRC control how the bike is assembled, repaired, operated and maintained. For this reason, SKYRC cannot be held responsibility for damage, loss, or injury caused by the use of materials different from what is indicated in the manual, or from the improper use of the product. From the moment the buyer begins the assembly progress, he is assuming the responsibility of any consequence resulting from misuse or assembly. If customer can't accept this, please return the product to the place of purchase. The returned item should be new, unused and with complete package.

本公司无法保证用户完全遵照说明书指示操作，也不能确保客户后续能正确安装/改装/维修、恰当操作及妥善保管。因此，本公司不承担任何由于以下情况造成的破损、损失及人身伤害的责任：

1. 用户使用与说明书描述不符的材料或者配件；
2. 用户操作或者使用不当。

从客户开始安装摩托车的那一刻起，客户将自行承担由于使用不当造成的任何后果。如果客户不能接受此条款，请将摩托车退回购买处。注意，退回的摩托车必须全新，未使用，且包装完好。


HELPFUL HINTS FOR ASSEMBLY

安装提示




1. Avoid working on a deep pile carpet. It is difficult to find some small components, such as screw, if you drop them into it.
2. To prevent parts from rolling off and protect the working surface, you could put all the small parts into a container.
3. Avoid running the bike in cold weather. Low temperature may cause plastic and metal parts brittle. What's more, the grease and oil become thick which may cause poor performance.
4. Test fit all parts before attaching them to the bike.


1. 尽量不要在长毛地毯上操作摩托车，如果零配件，例如螺丝，掉进地毯，很难找到。
2. 为了不让零件滚落，最好将所有部件放在容器里。
3. 尽量避免在天冷的时候操作摩托车。低温会引起塑料机金属部件会变脆，容易折断。而油也会变浑浊，影响摩托车性能。
4. 在固定各部件之前，请确保各部件之间完全吻合。

REQUIRED TOOLS FOR ASSEMBLY 装配工具




● Hex wrench 六角扳手

-  1.5mm
-  2.0mm
-  2.5mm
-  3.0mm



● Nut driver 螺丝刀

-  5.5mm
-  7.0mm
-  8.0mm




● Phillips Screwdriver 十字螺丝刀



● Caliper 卡尺



● Threadlocker 螺丝胶



● Needle nose pliers 尖嘴钳



● Shock Oil 减震油

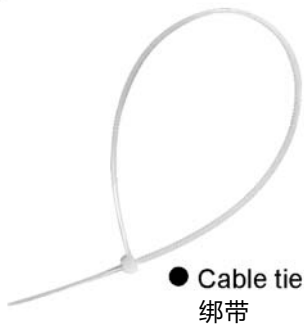
20wt 70wt



● Scissors 剪刀



● Side cutter 斜口钳



● Cable tie 绑带

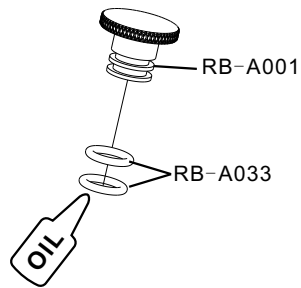
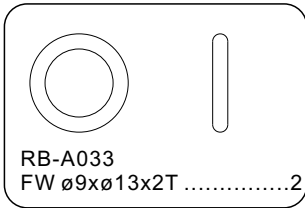


● Tire rubber 轮胎胶

302

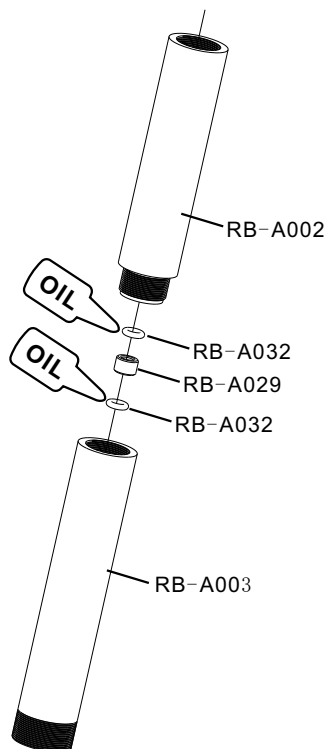
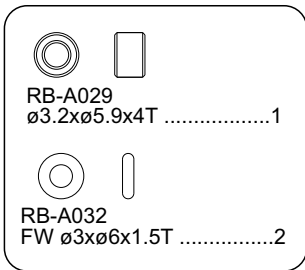
ASSEMBLY PROCEDURE 装配过程

Step1

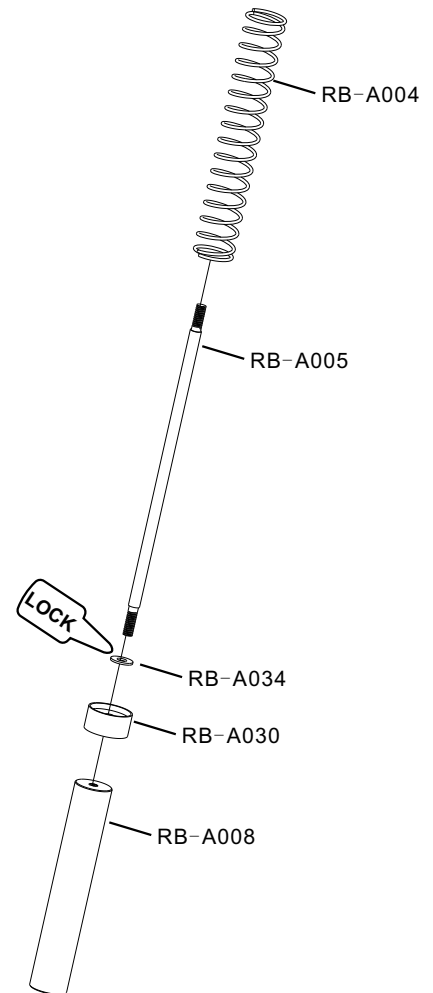
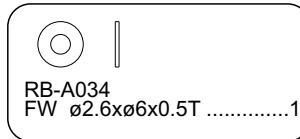


Note: It will be easier to assemble if you add oil to the ring (RB-A033) before installation.
提示: 如果在O型密封圈上添加润滑油, 安装更为容易

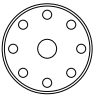
Step2



Step3



Step4



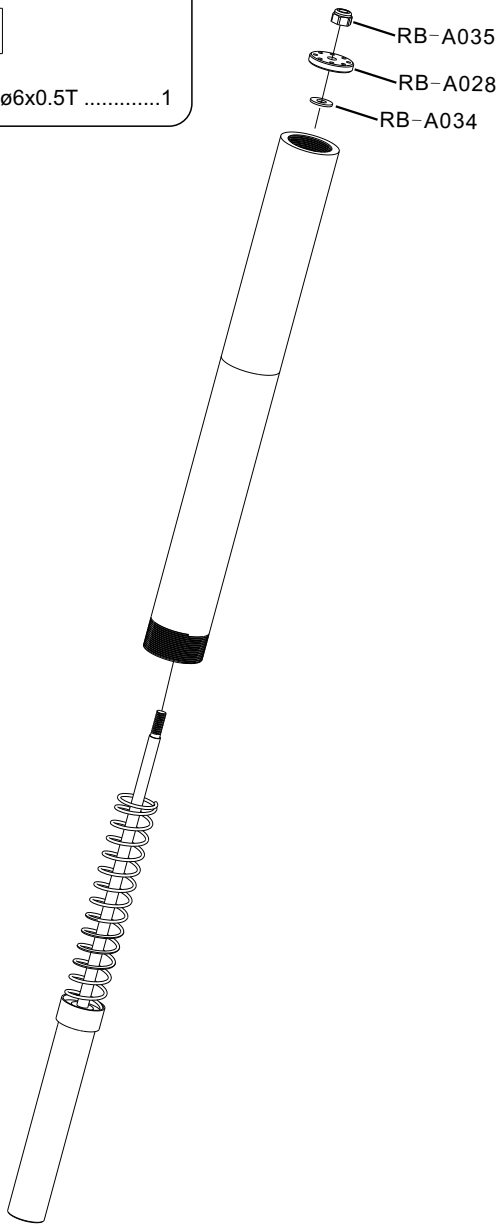
RB-A028
ø2.5xø11.9x2T1



RB-A035
M2.5防松螺母1



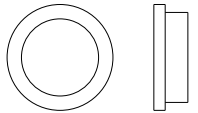
RB-A034
FW ø2.6xø6x0.5T1



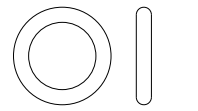
Step5



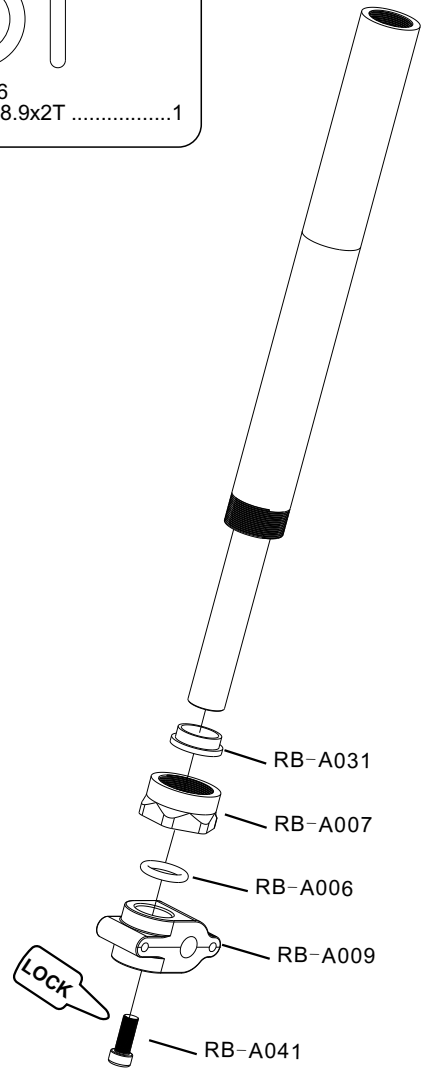
RB-A041
M4x10PH.....1




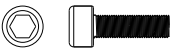
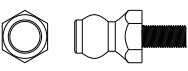
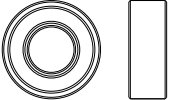
RB-A031
ø10.2xø14x4.5T1

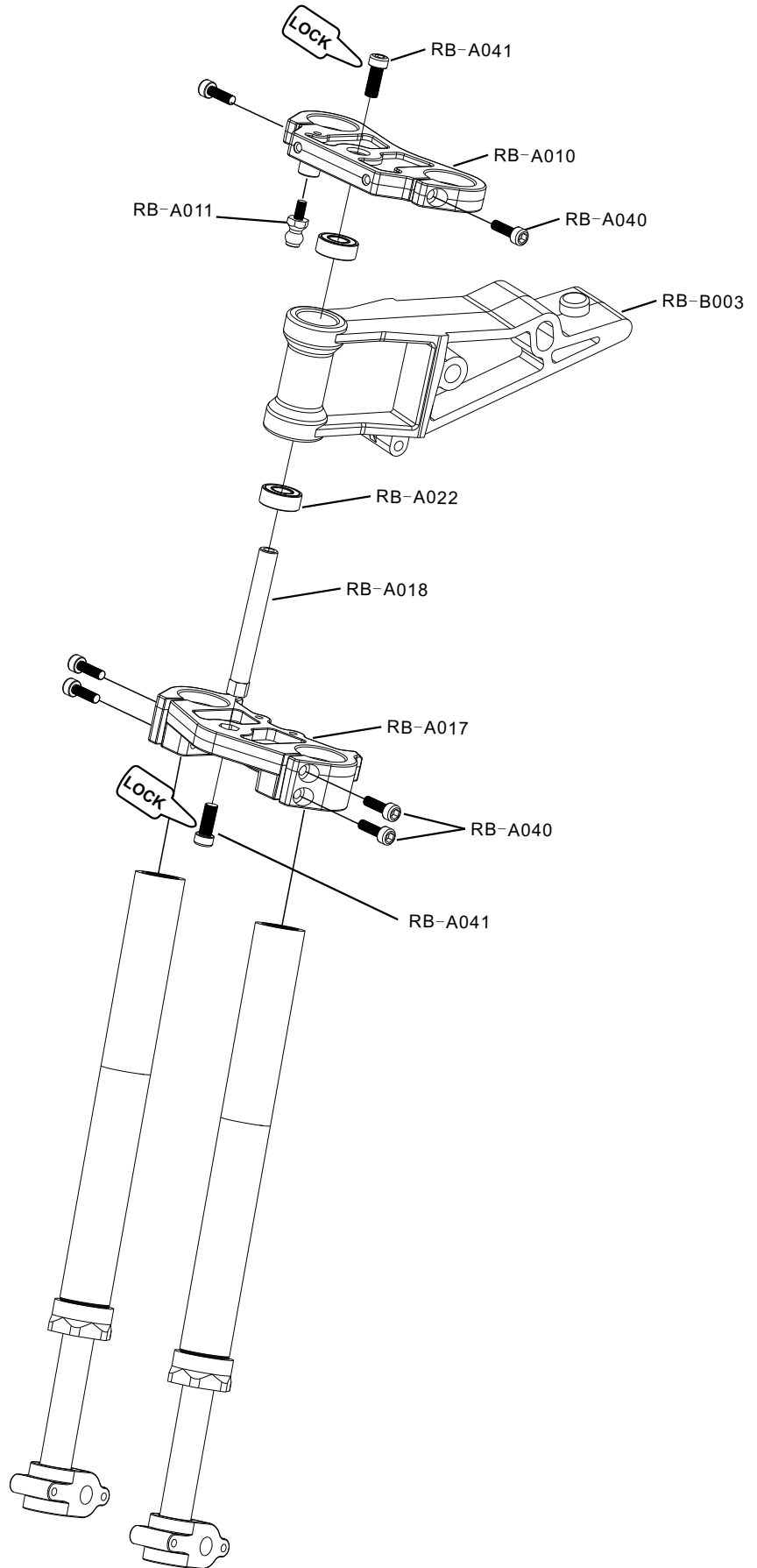


RB-A006
ø12.9xø8.9x2T1



Step 6

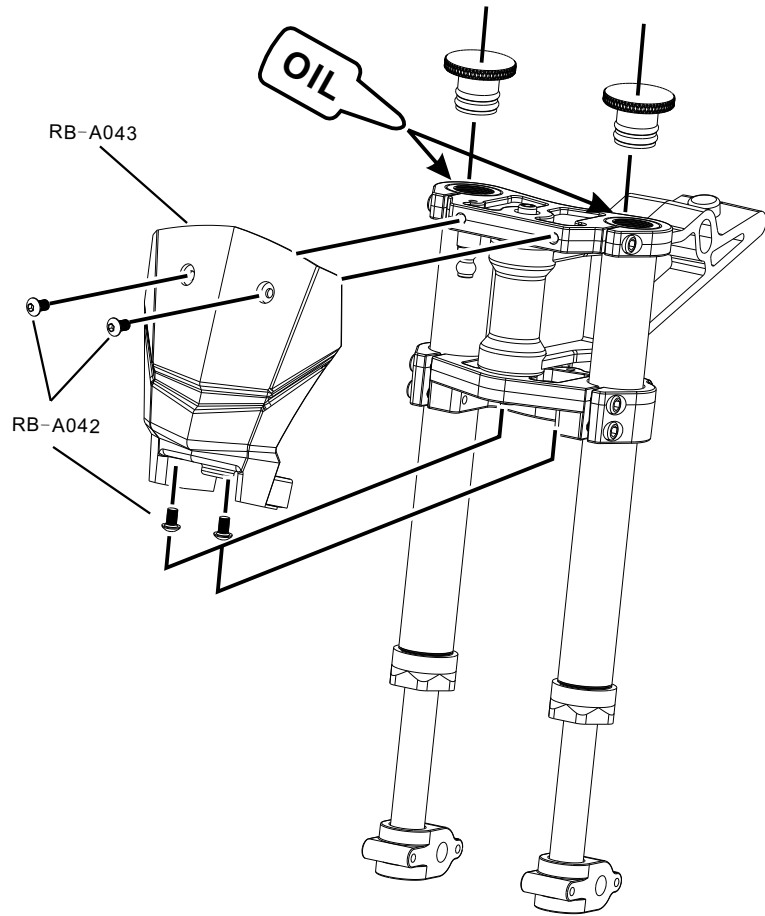
	RB-A041 M4x10PH.....2
	RB-A040 M3x10PH.....6
	RB-A011 M3x10PH.....6
	RB-A022 Brg.ø6xø13x5ZZ.....1



Step7



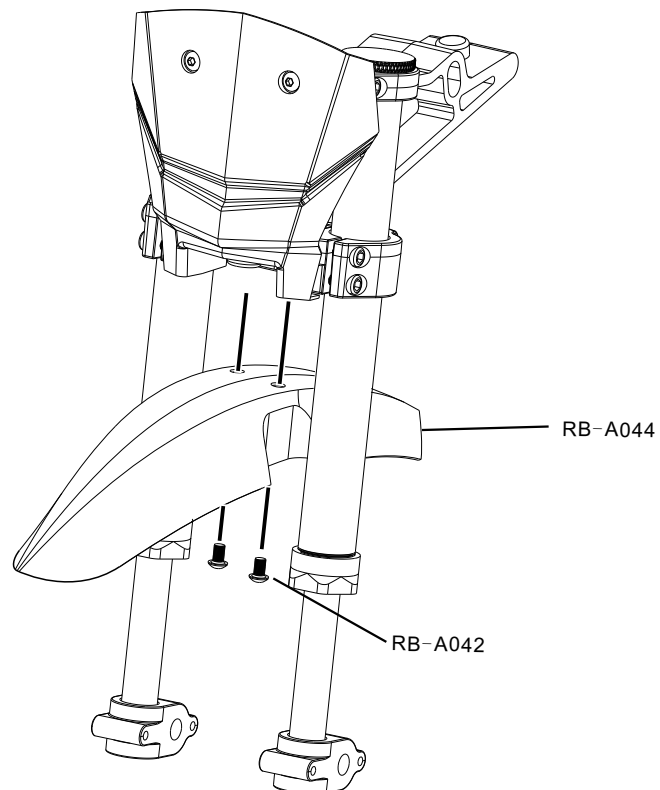
RB-A042
M3x5TS.....4



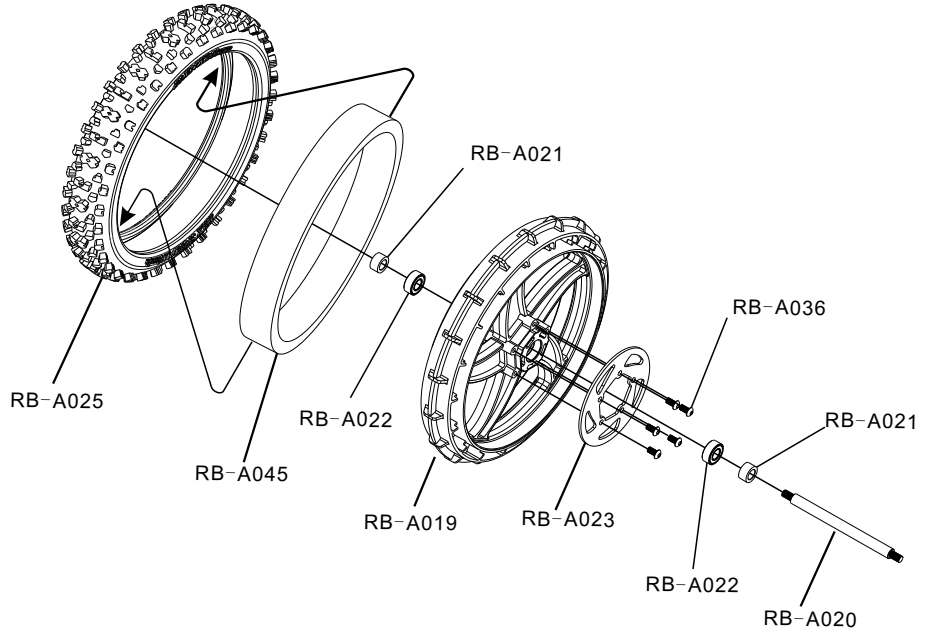
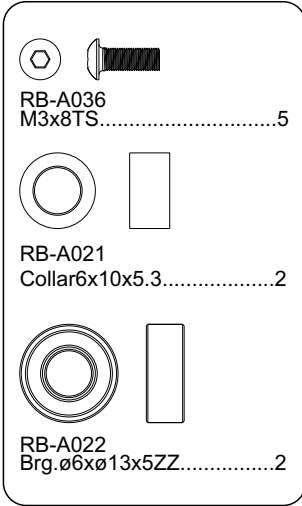
Step8



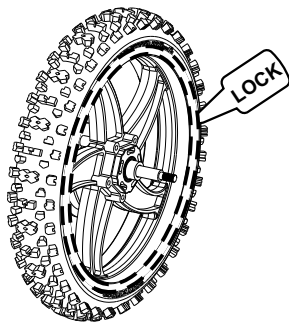
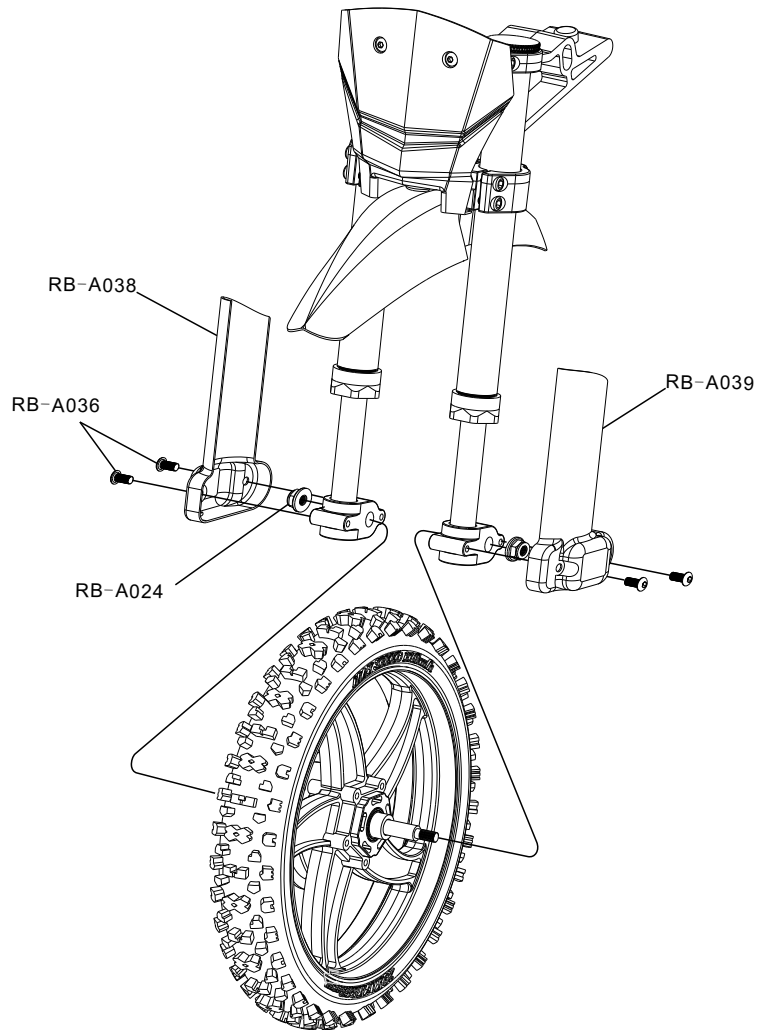
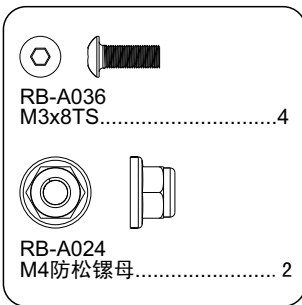
RB-A042
M3x5TS.....2



Step9

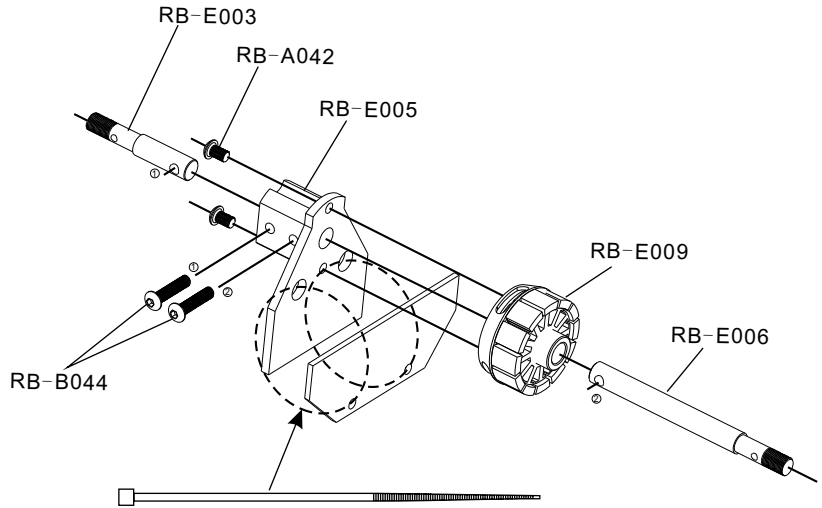
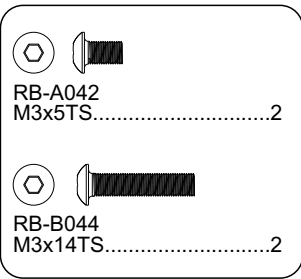


Step10

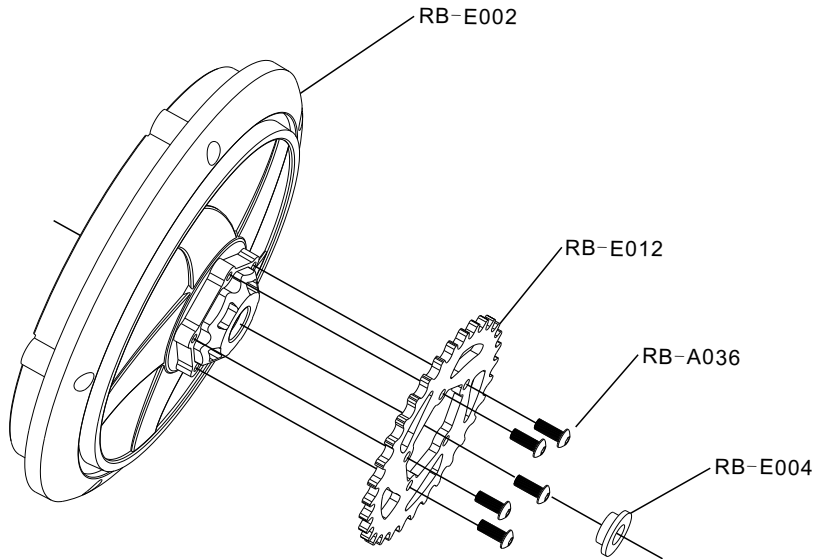
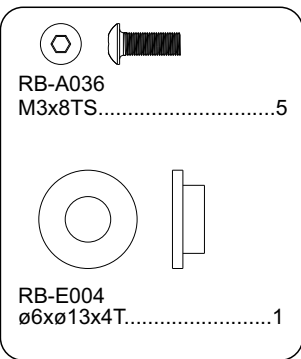


Note: Please secure the rim and the tire with tire rubber after finishing assembly.
提示: 安装完成后请将轮毂与轮胎用轮胎胶固定

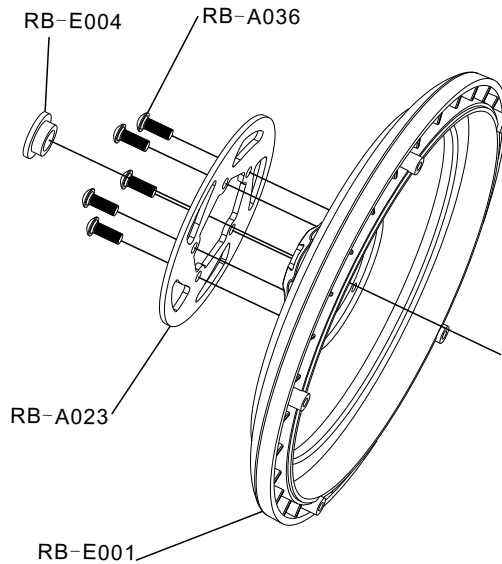
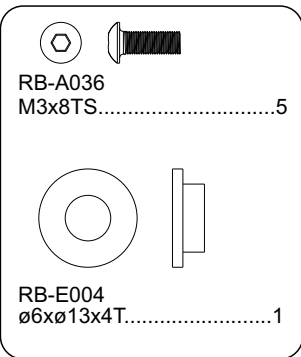
Step 11



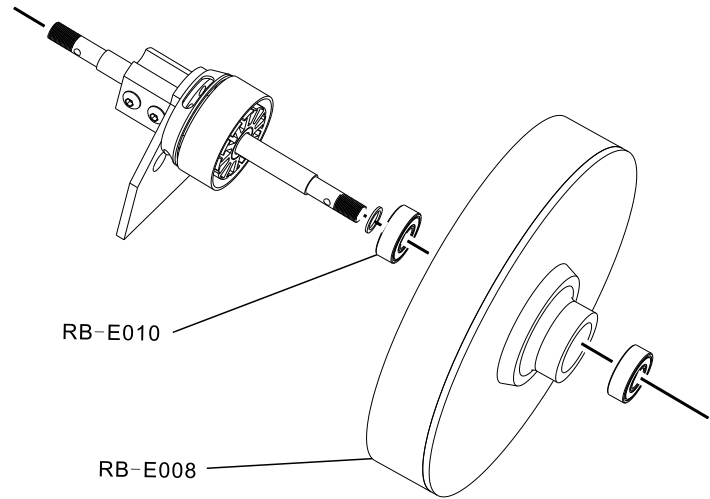
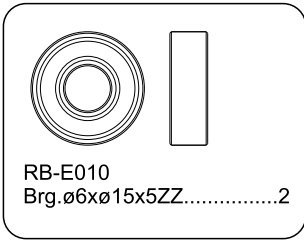
Step 12



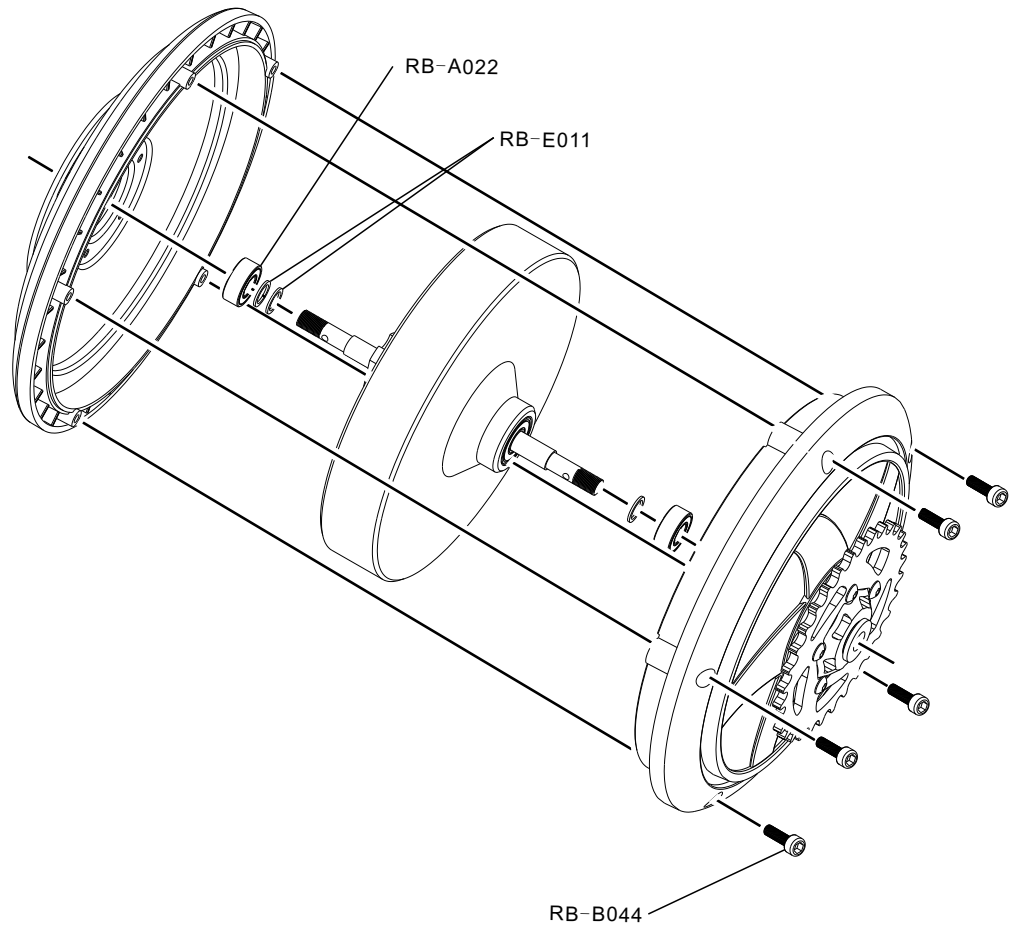
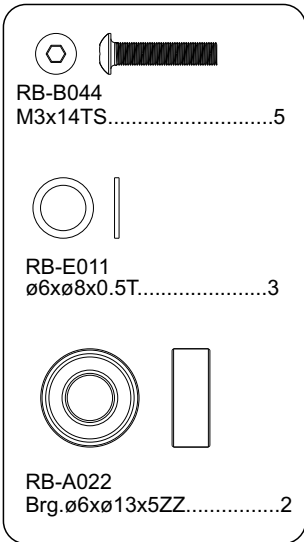
Step 13



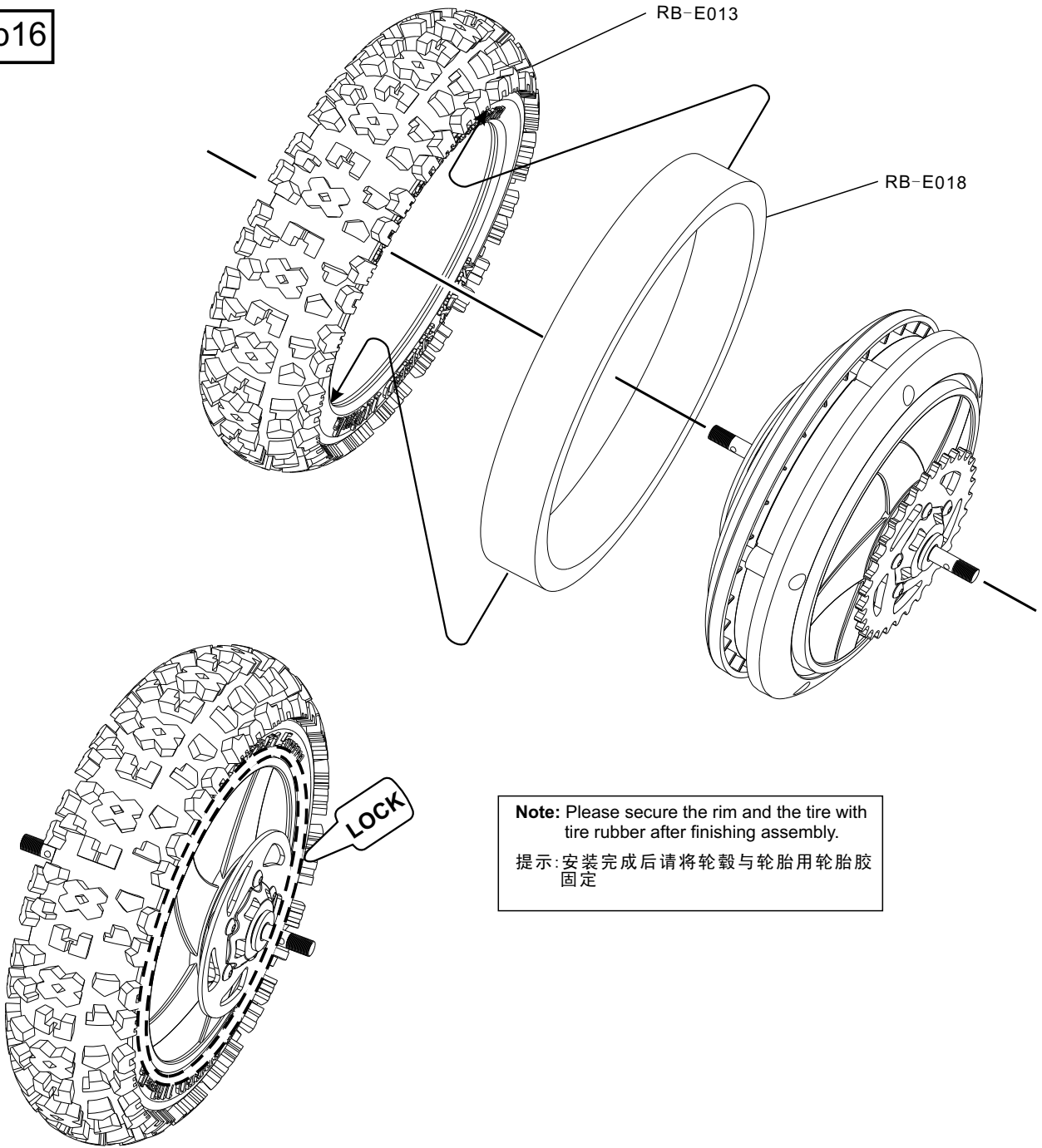
Step14



Step15



Step16



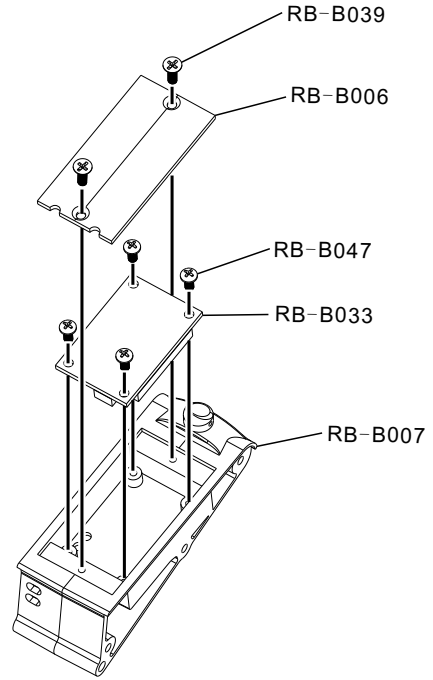
Step17



RB-B047
M2.5x6TS.....4



RB-B039
M2.5x6.....2



Step18



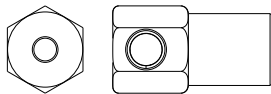
RB-B044
M3x14TS.....4



RB-B043
M3x10TS.....8



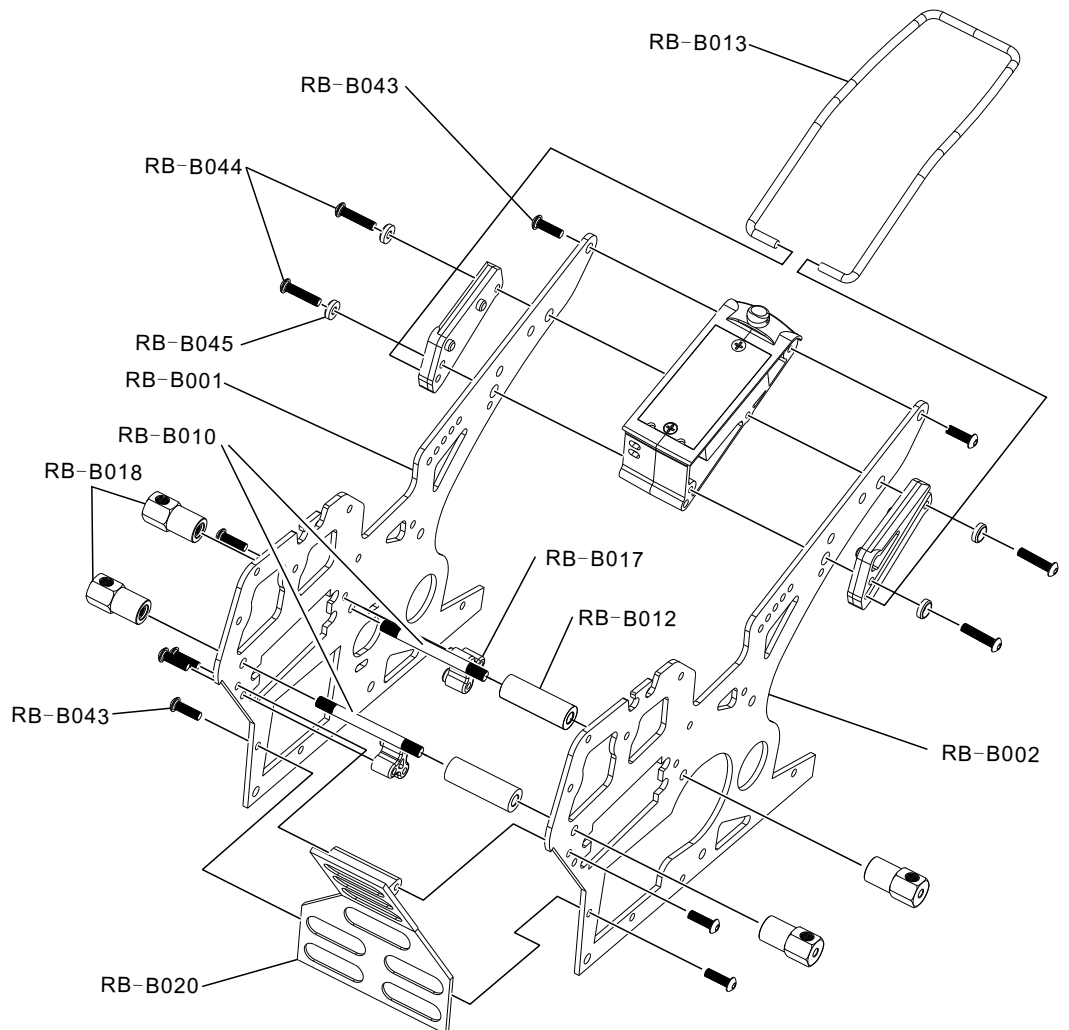
RB-B045
ø3xø7x2T.....4



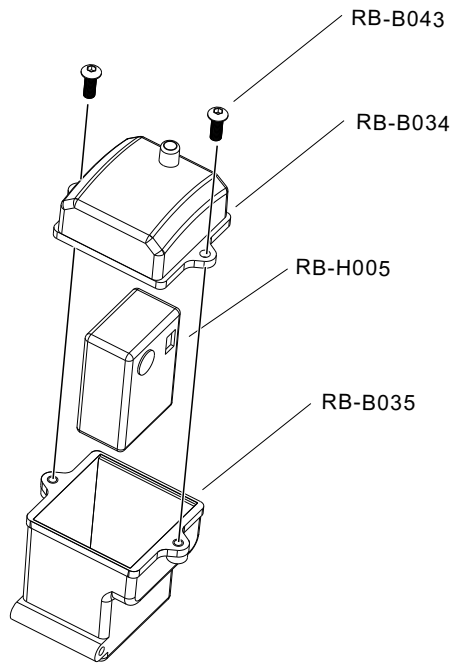
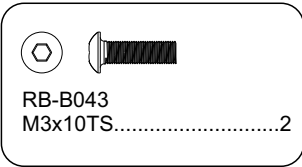
RB-B018
M3x7.....4



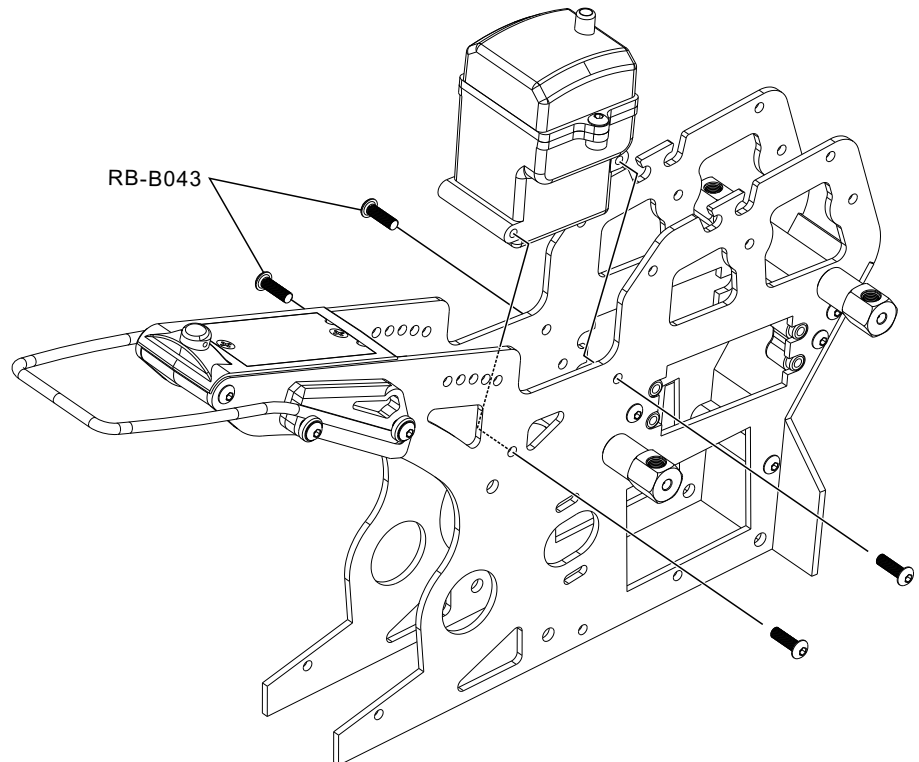
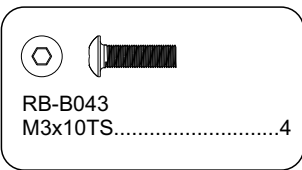
RB-B012
Collar9x4.2x27.....2



Step19



Step20



Step21



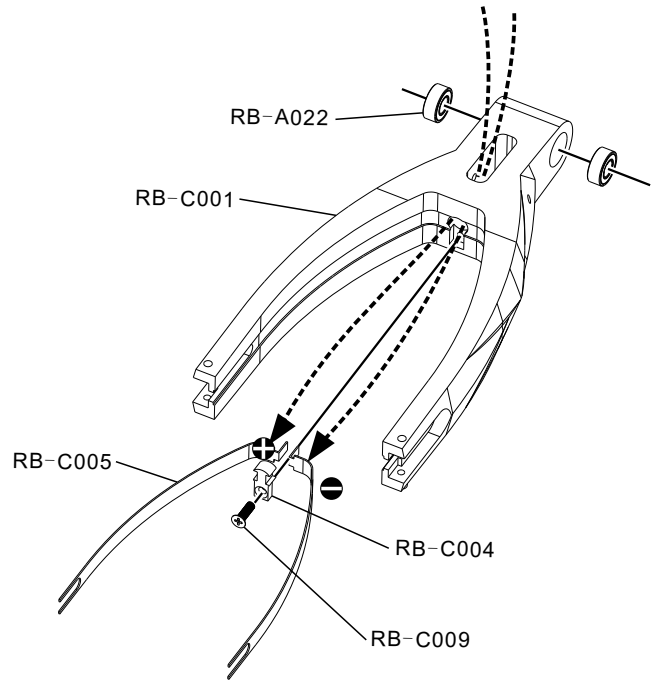
RB-C009
M3x8TS.....1



RB-A022
Brg.ø6xø13x5ZZ.....2

Caution: Solder the positive and negative wires of the ESC with the copper sheet before assembly. Pay attention to the polarity of the ESC wires.

注意：安装之前请将电子调速器的正负极线和铜片焊接，注意正负极方向。



Step22



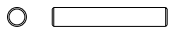
RB-A037
M4x3SS.....2



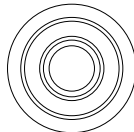
RB-B030
FW ø6xø8x1.5T.....2



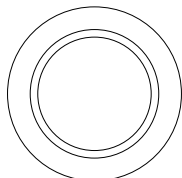
RB-B037
E-ring ø4.....1



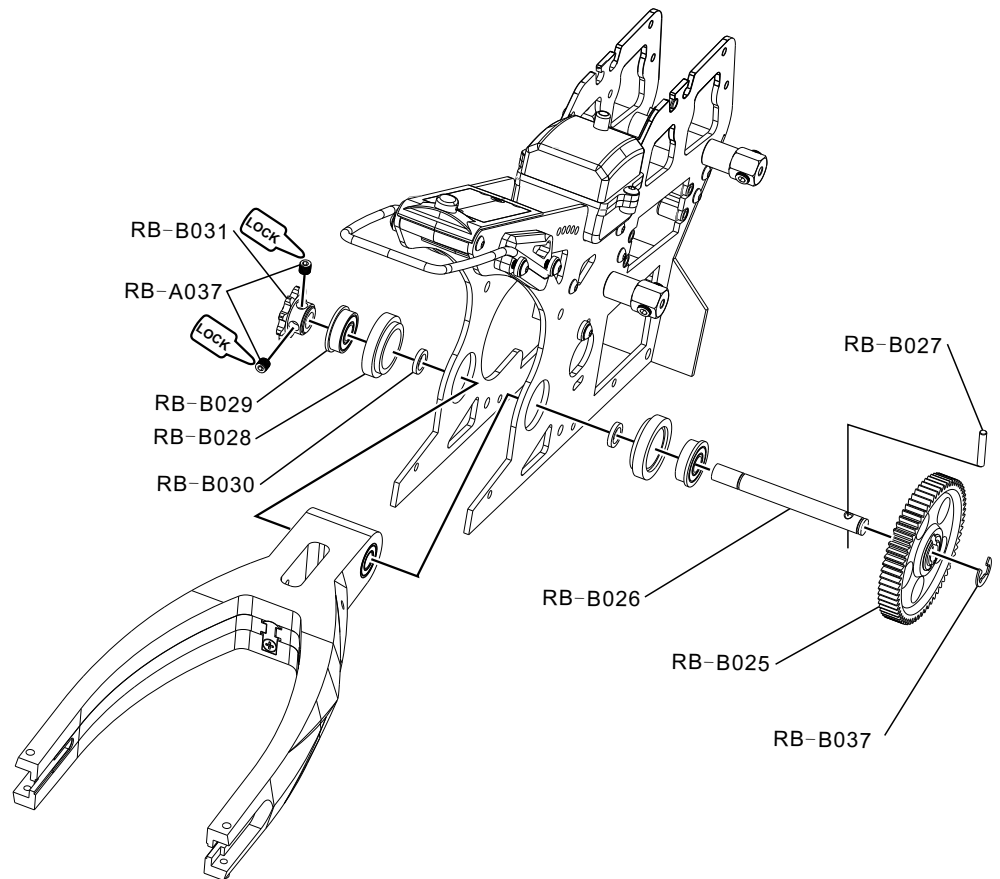
RB-B027
ø2.5x15.2 needle pin.....1





RB-B029
Brg. ø6xø15x5zz.....2





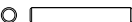
RB-B028
FW ø15xø23x6T.....2



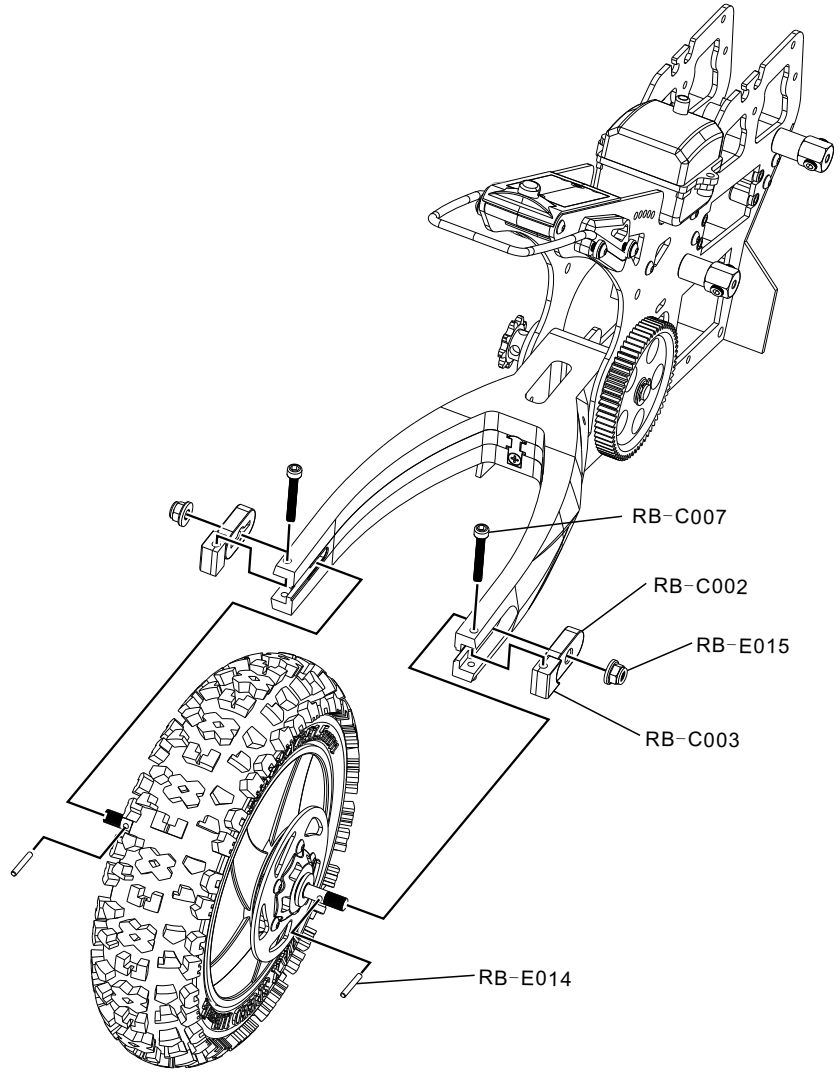
Step23

- 



 RB-E015
 M4防松螺母.....1
- 


 RB-C007
 M3x22PH.....2
- 

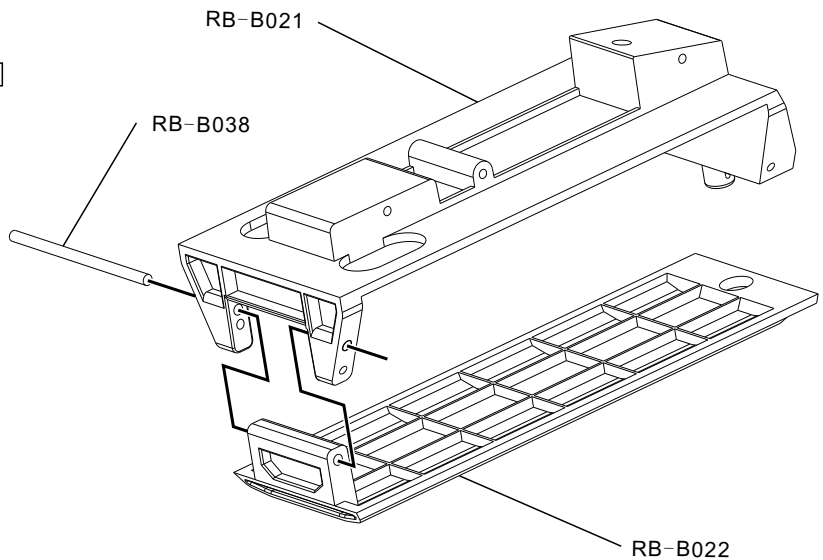
 RB-E014
 ø2x13.5 needle pin.....2




Step24

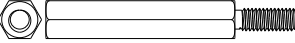
- 

 RB-B038
 ø3x55.5 needle pin.....1

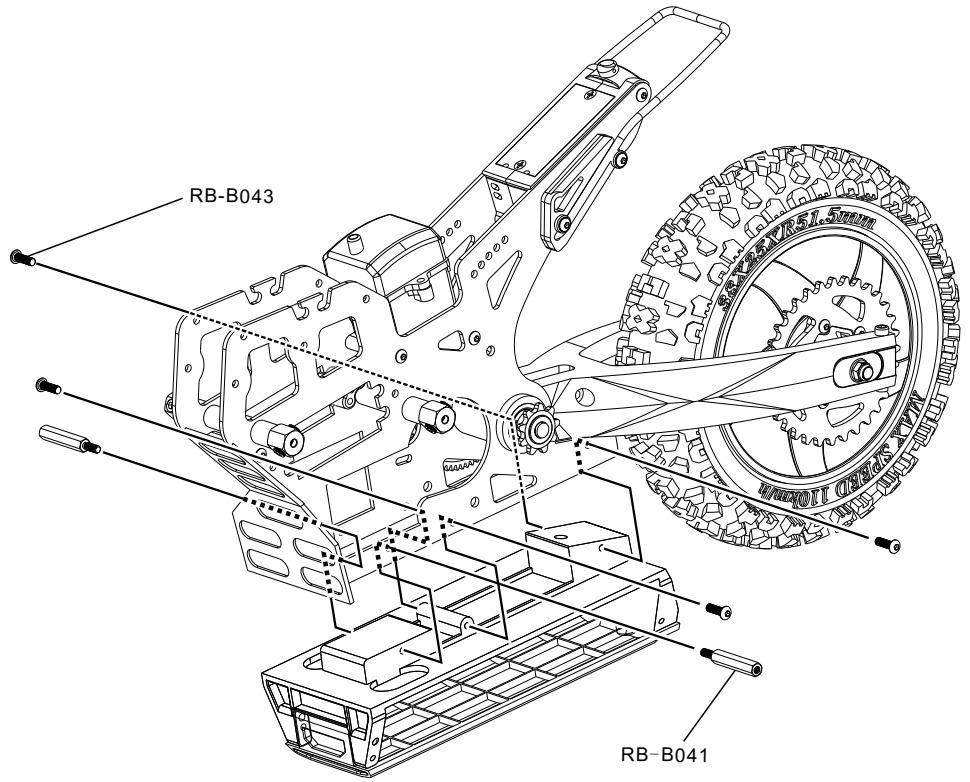


Step25

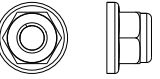
- 


RB-B043
M3x10TS.....4
- 


RB-B041
ø2x13.5 needle pin.....2




Step26

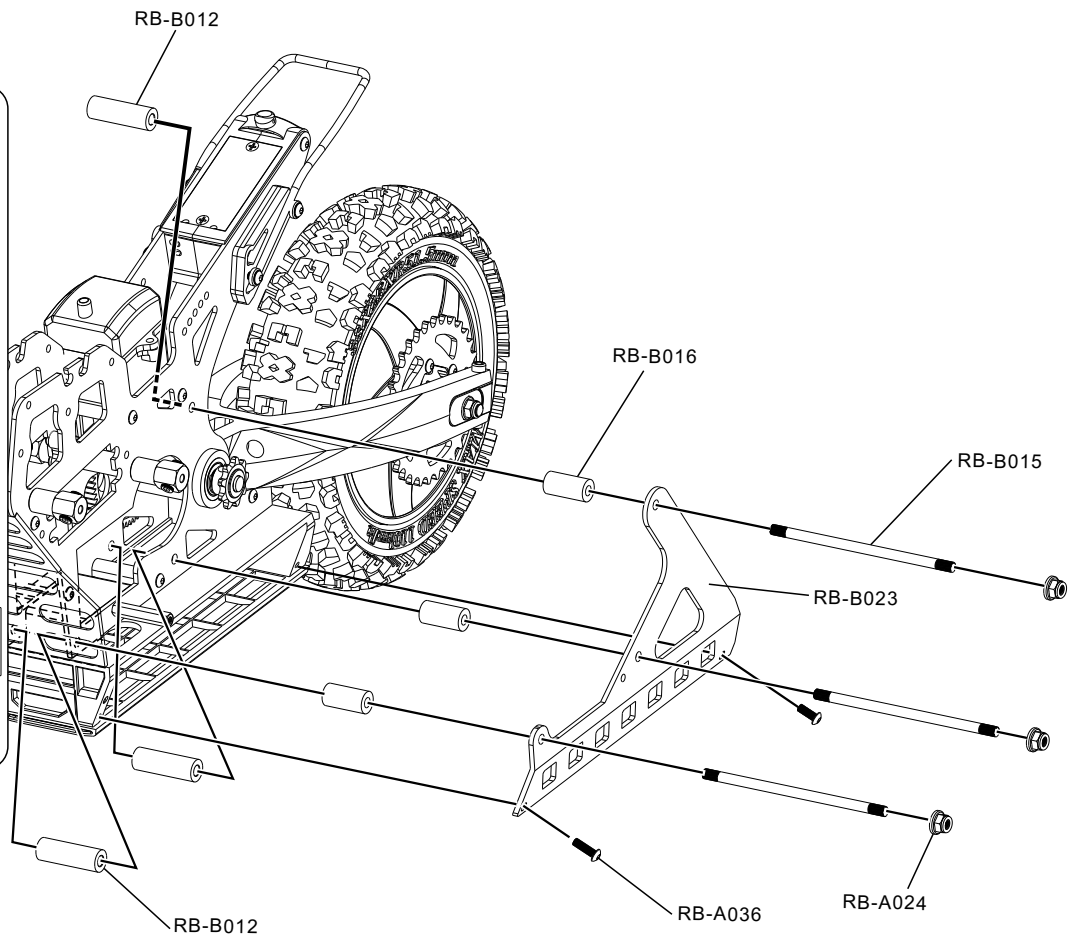
- 

RB-A024
M4防松螺母.....3
- 



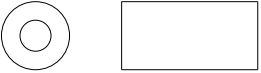
RB-A036
M3x8TS.....2
- 

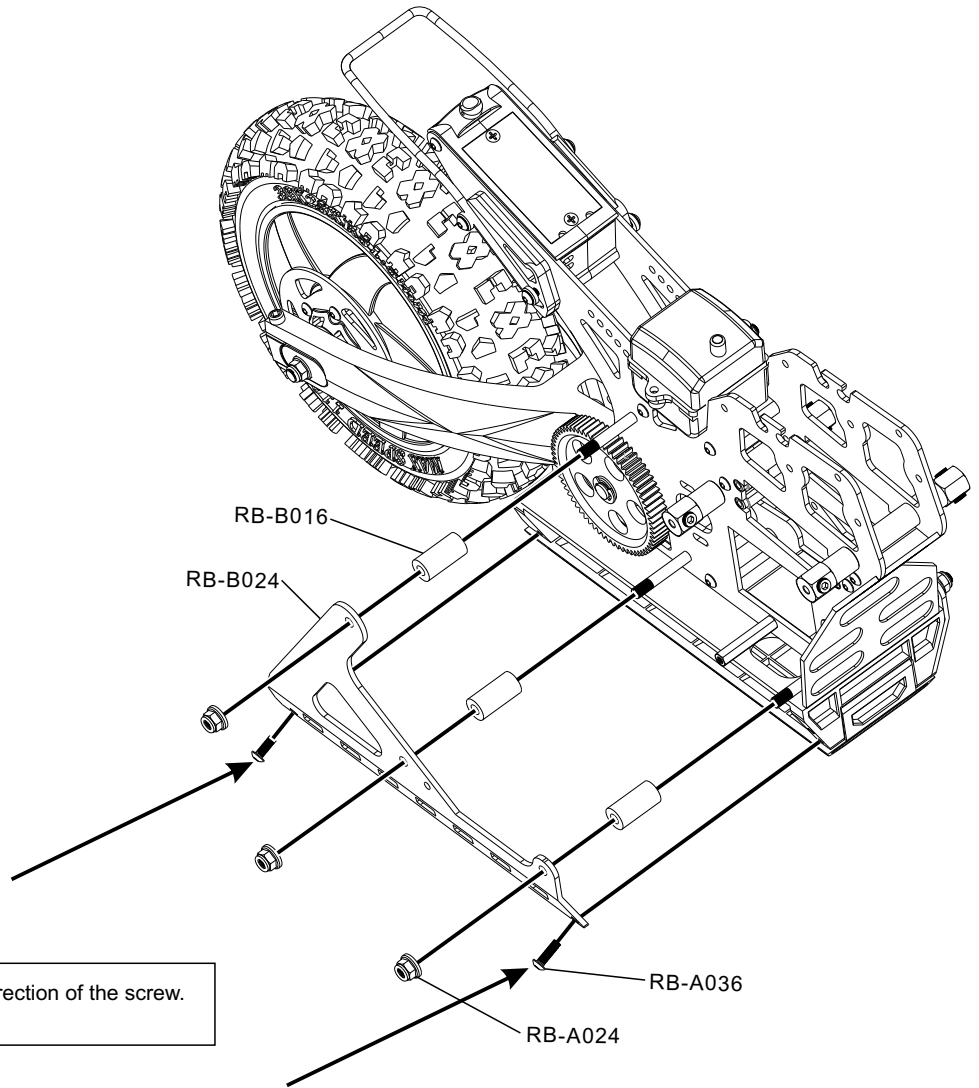
RB-B012
Collar4.1x9x18.....3
- 

RB-B012
Collar9x4.2x27.....3




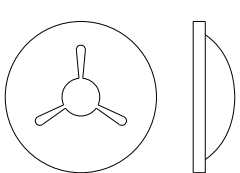





Step27

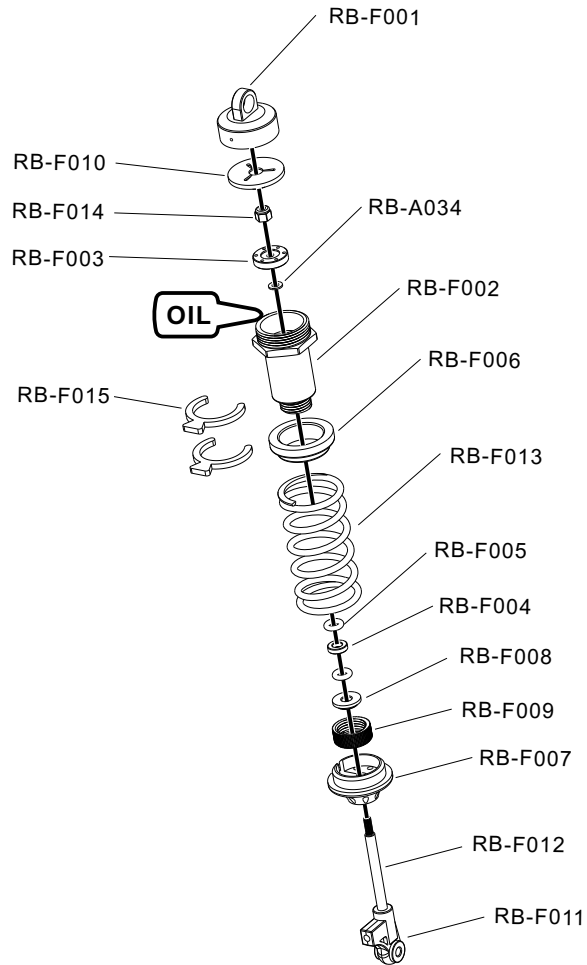
	RB-A024 M4防松螺母.....3
	RB-A036 M3x8TS.....2
	RB-B012 Collar4.1x9x18.....3



Caution: Pay attention to the direction of the screw.
注意: 螺丝安装方向

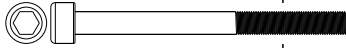
Step28

	RB-F008 FWø9.7Xø2.5X2.25T..... 1
	RB-F010 FWø20X2.5T..... 1
	RB-F015 E-ringø16.....3
	RB-F004 FWø3.5xø7x2T.....3
	RB-F014 M2.5防松螺母.....3
	RB-F005 FWø3.5xø7x1.8T.....3
	RB-A034 FW ø2.6xø6x0.5T1



NOTE: The user could adjust the effect of the rear suspension according to different racing ground by instralling shock body spacer.
提示: 用户可根据实际路况使用垫片调节后避震强度。

Step29



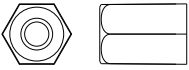
RB-D001
M2x36PH.....1



RB-C008
M3x30PH.....1



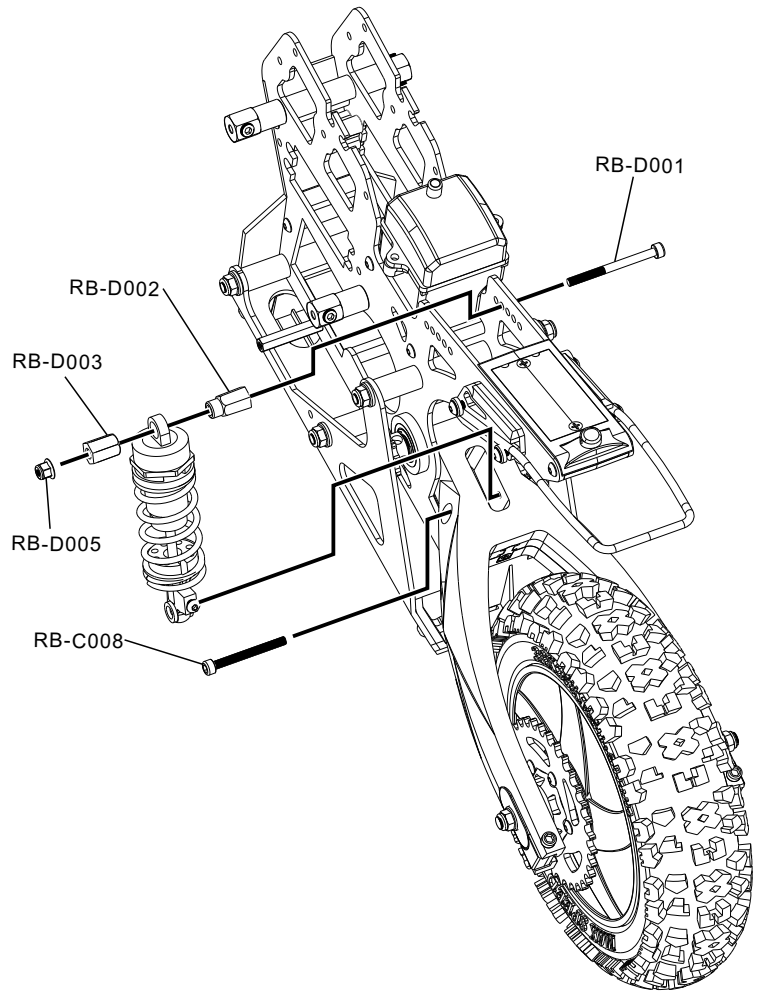
RB-D005
M3防松螺母.....3



RB-D003
8x9x13.....3



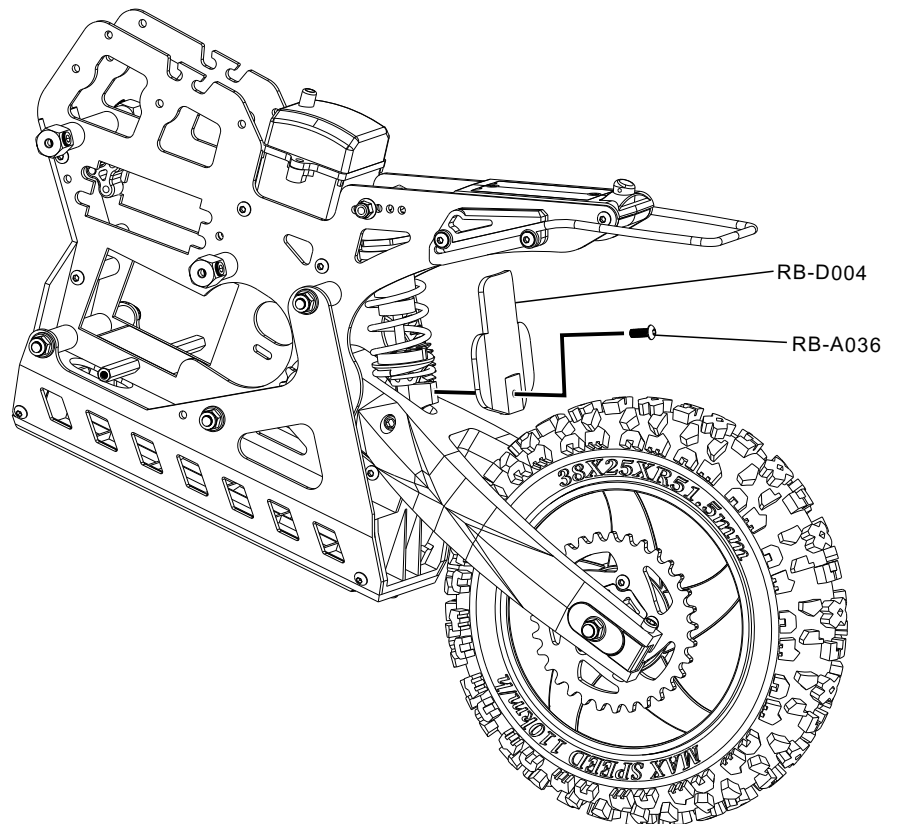
RB-D003
8x9x15.5.....3



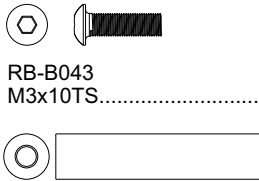
Step30

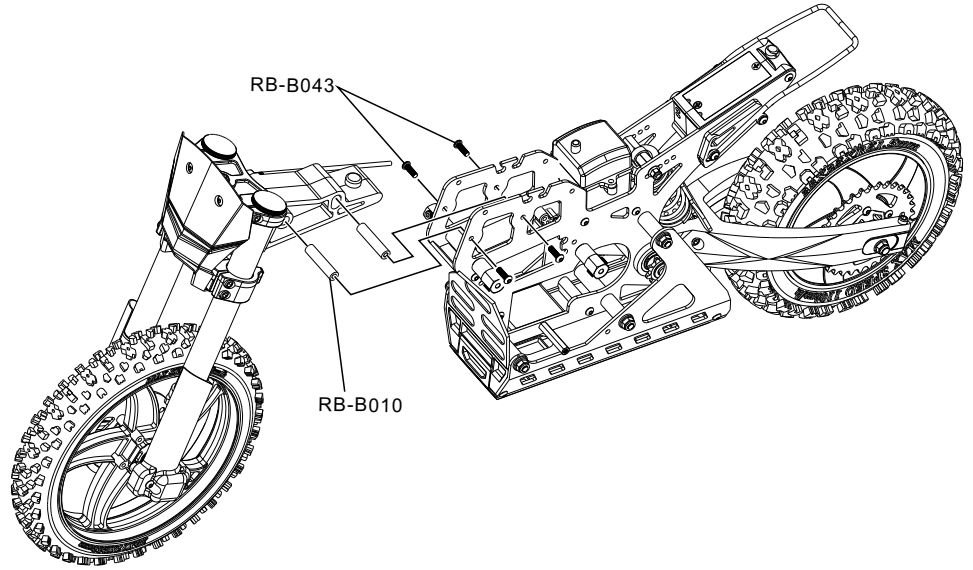


RB-A036
M3x8TS.....2




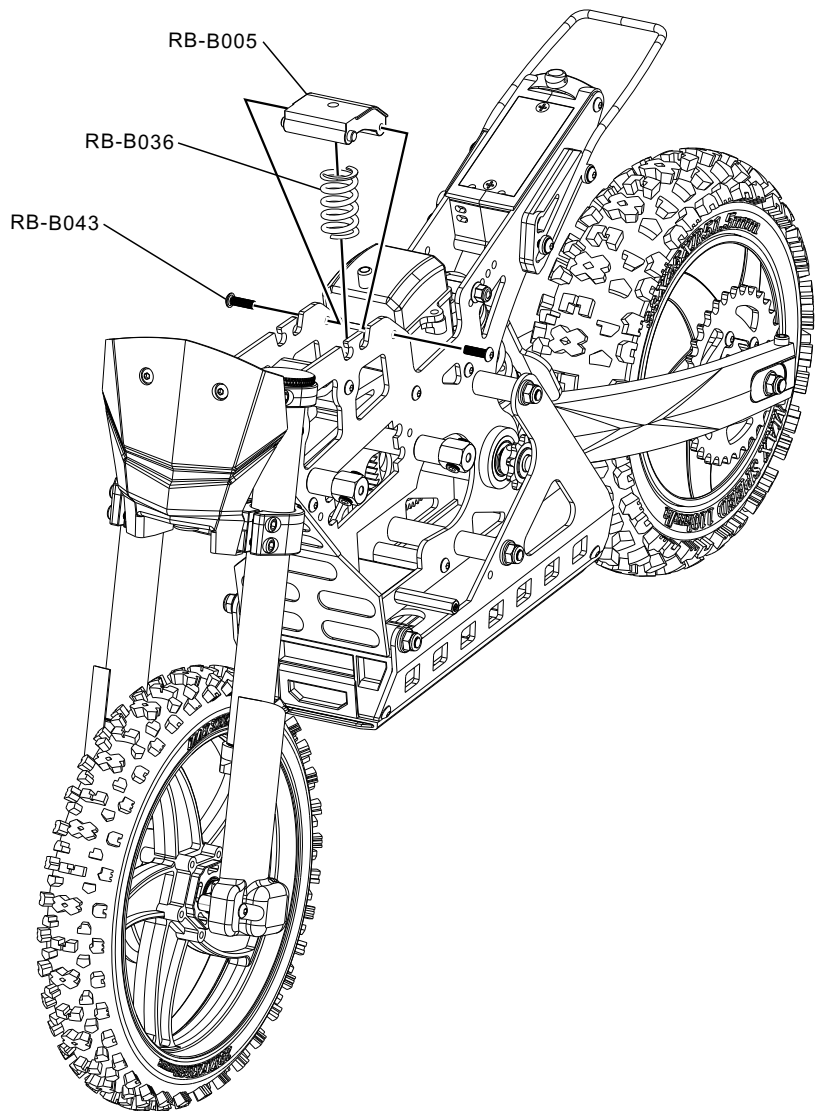
Step31


RB-B043
M3x10TS.....4
RB-B010
Collar2.6x6x27.....2





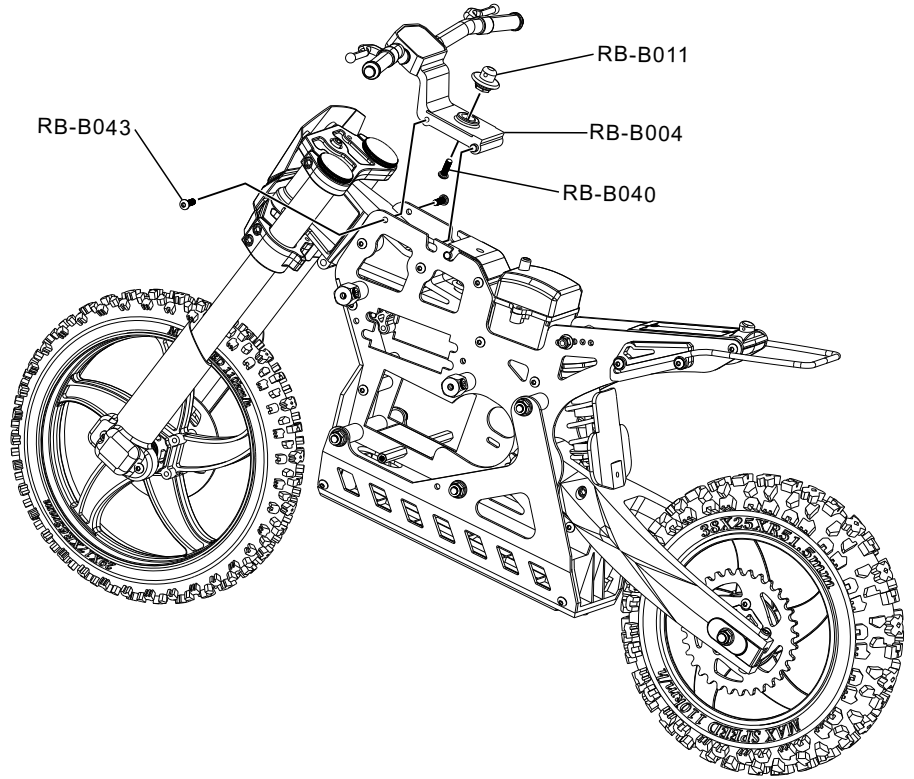
Step32


RB-B043
M3x10TS.....2




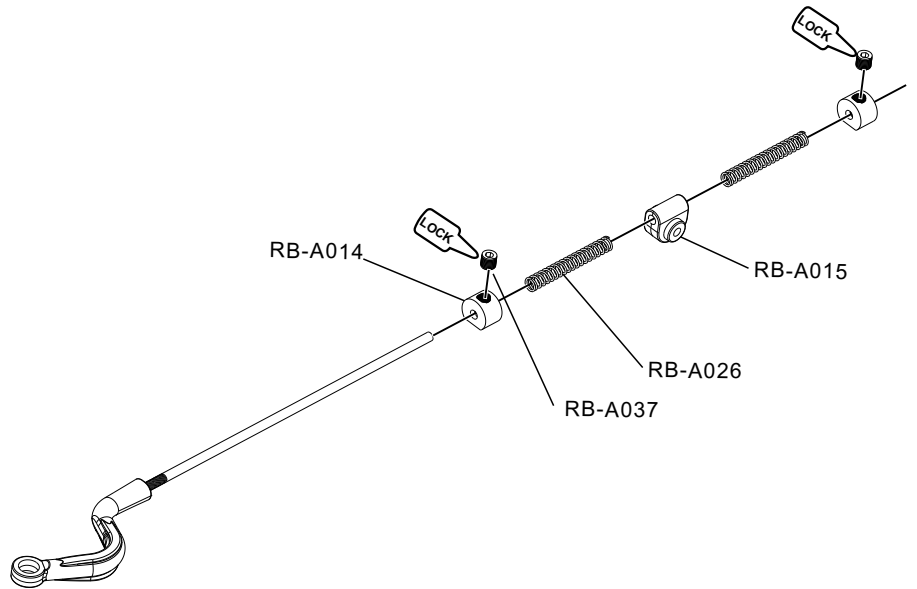
Step33

	RB-B043 M3x10TS.....2
	RB-A040 M3x10PH.....1





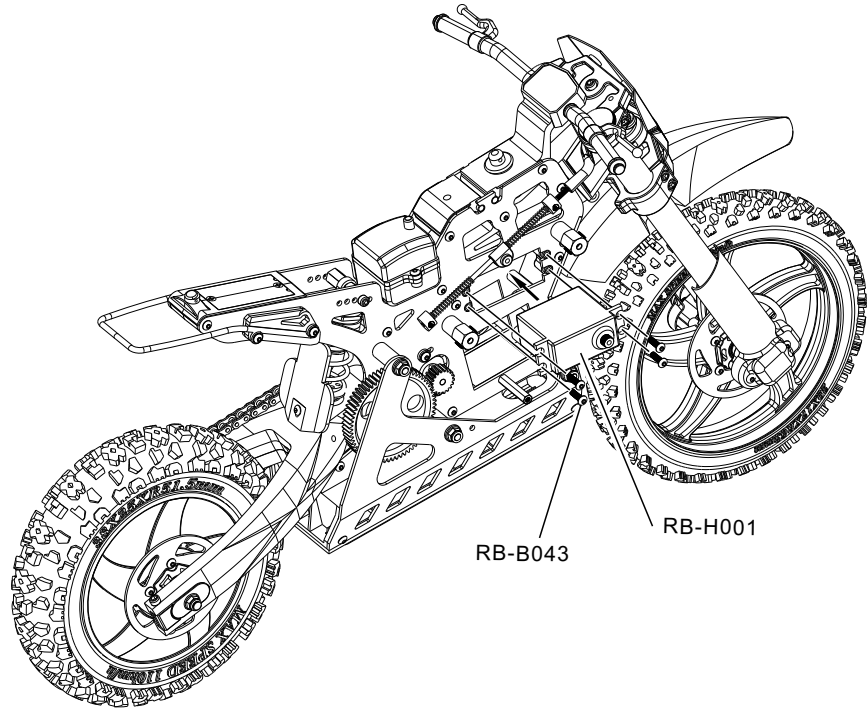
Step34

	RB-A037 M4x3SS.....2
---	-------------------------





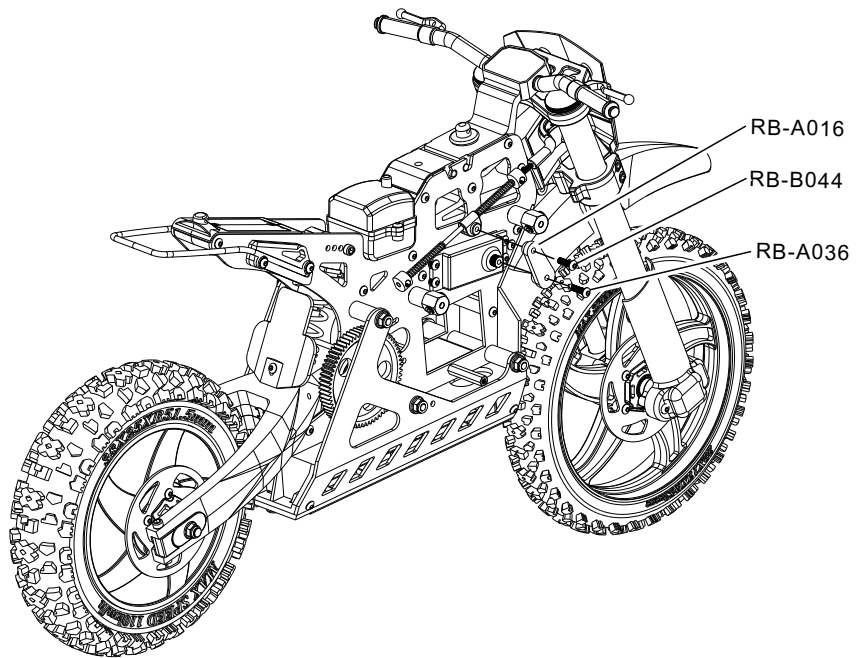
Step35

-  
RB-B043
M3x10TS.....4




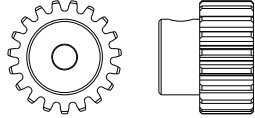


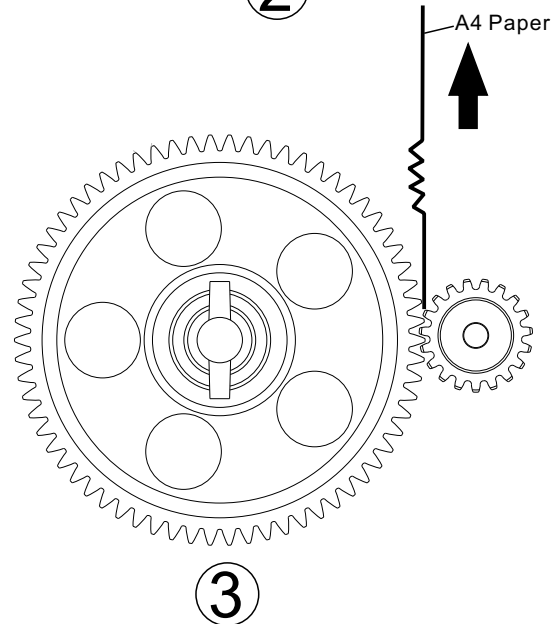
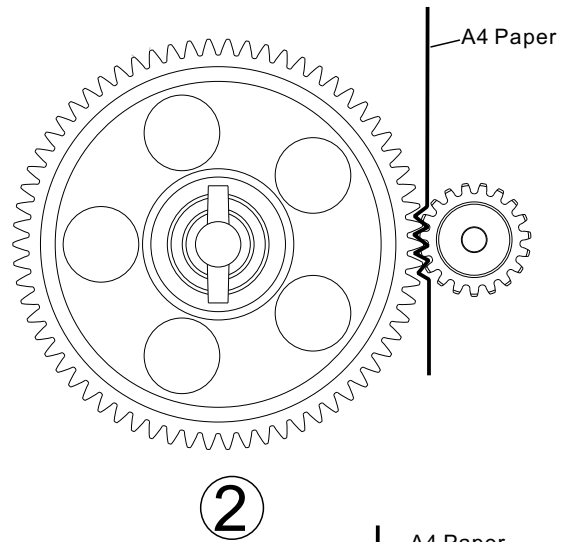
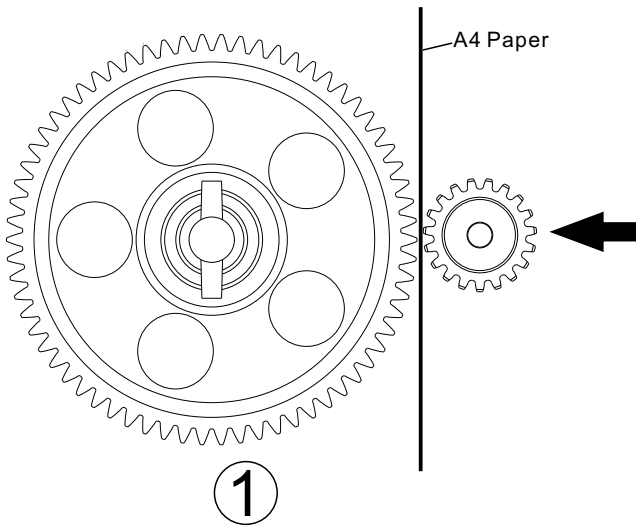
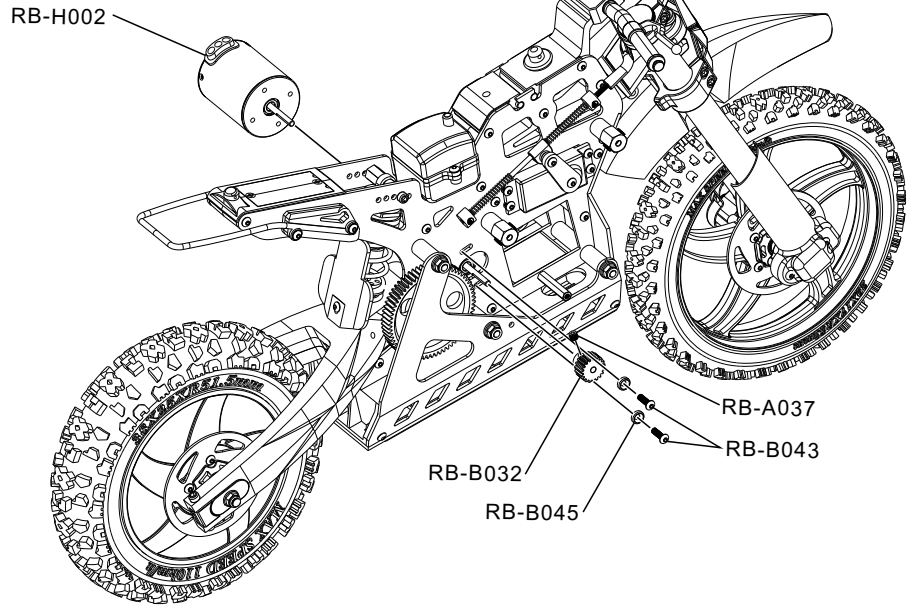
Step36

-  
RB-A036
M3x8TS.....1
-  
RB-B044
M3x14TS.....1



Step37

-  RB-B043
M3x10TS.....2
-  RB-A037
M4x4SS.....1
-  RB-B045
ø3xø7x2T.....2
-  RB-B032
ø3.2xø32.5x12T.....1



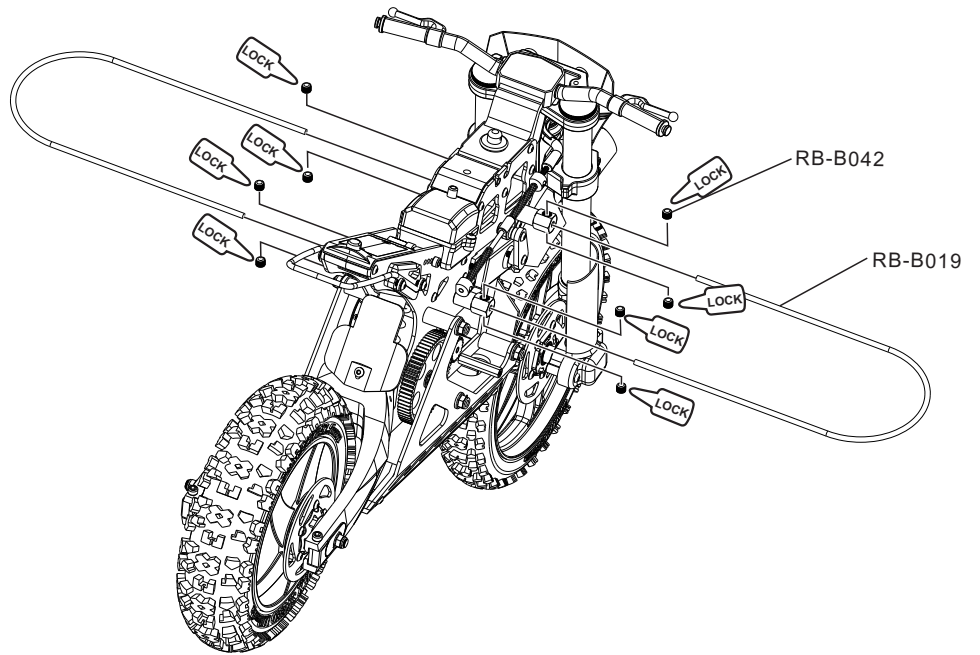
Caution: The space between the two gears should be the same thickness as one piece of A4 paper. We can put one piece of A4 paper between the two gears before assembly and take it away after finish.

注意：两个齿轮之间的空隙应为一张A4纸的厚度，安装之前我们可以在两齿轮之间放一张A4纸，安装完成后，再将A4纸从齿轮间抽掉。

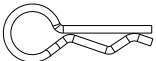
Step38



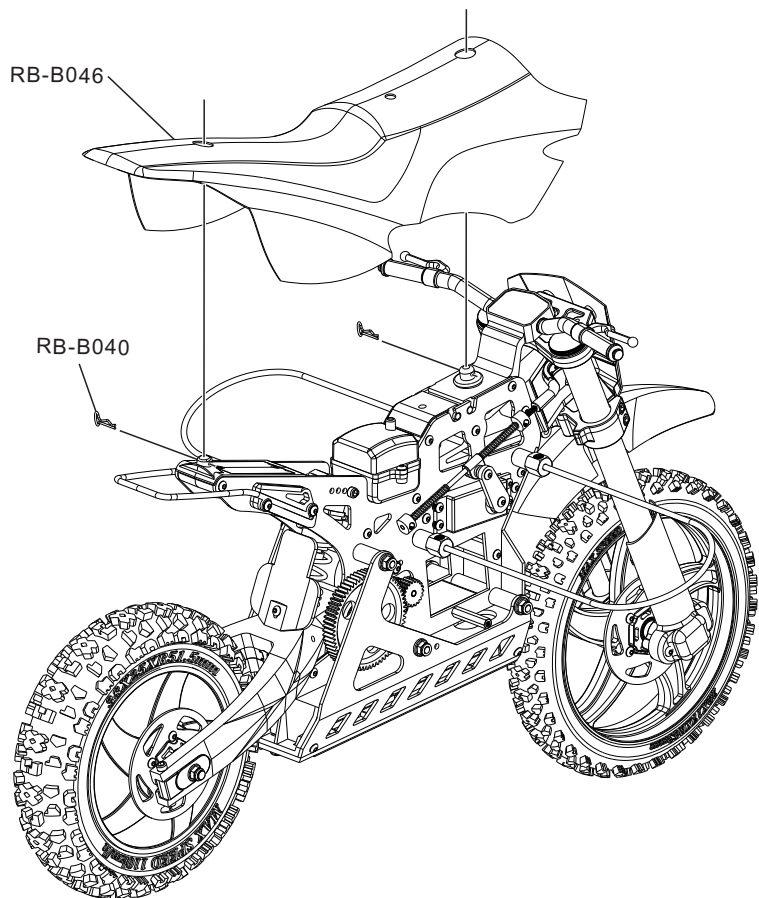
RB-A037
M5x4SS.....8



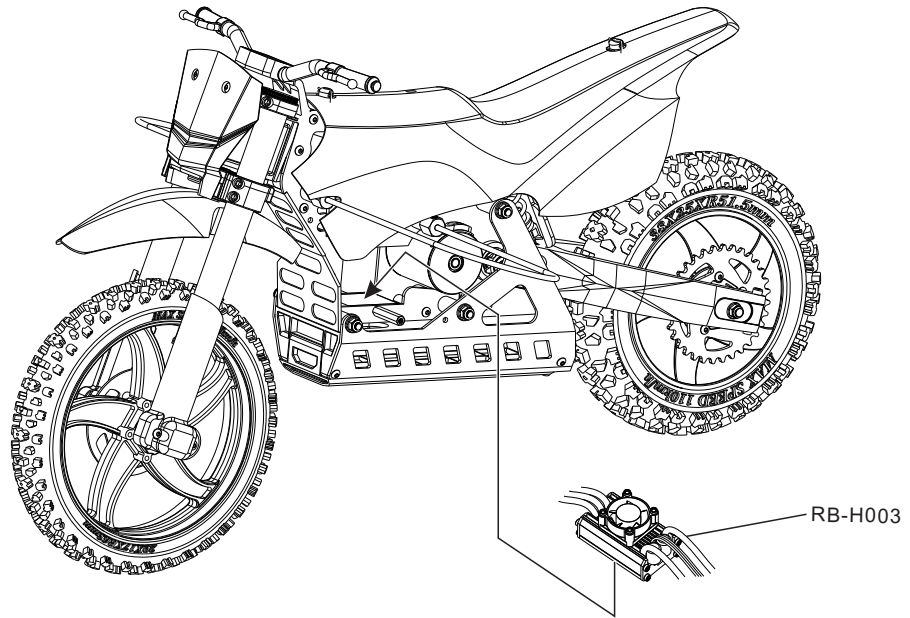
Step39



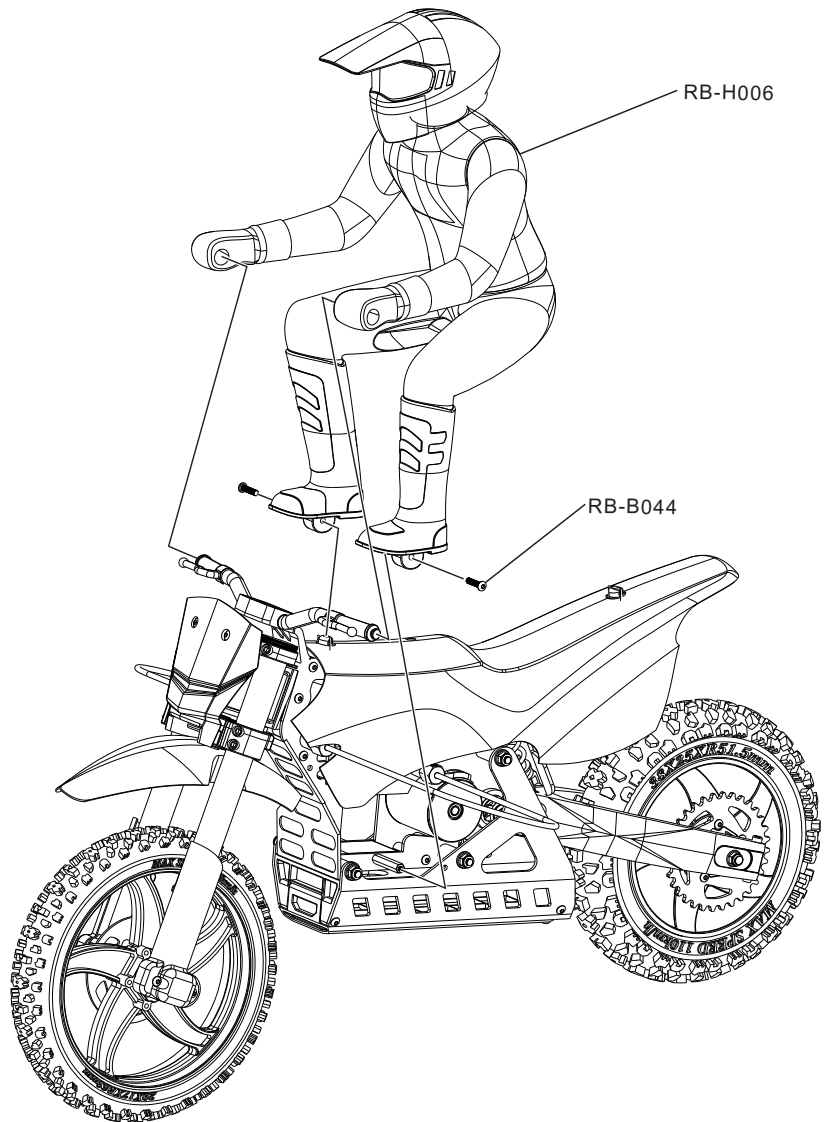
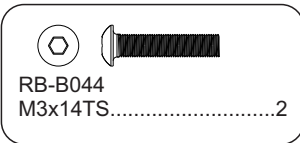
RB-B040
M3x10TS.....2



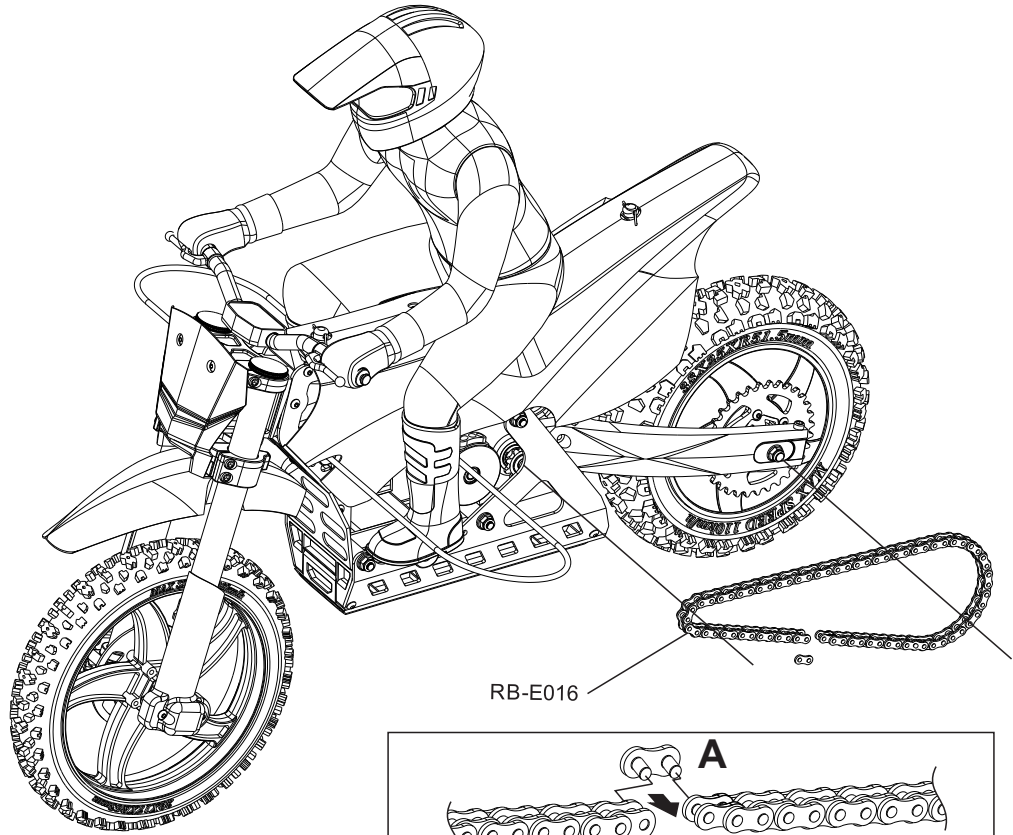
Step40



Step41



Step42

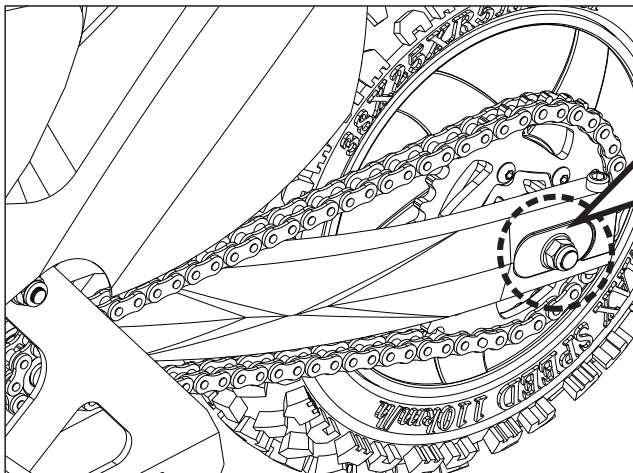
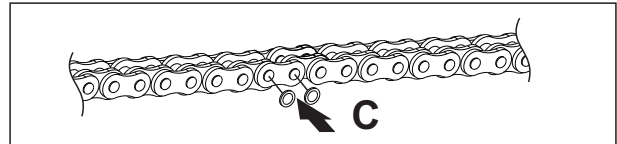
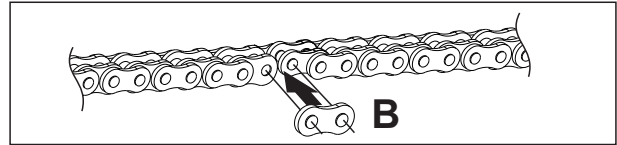
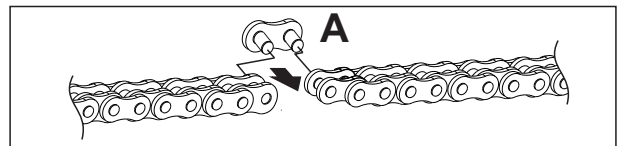


提示：链条的安装方法

1. 将A穿进链条两端的孔内。
2. 将B套入A中，然后用C将其卡紧。

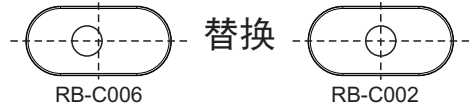
Note: How to install the chain

1. Install the A into the chain
2. Secure A and B with C



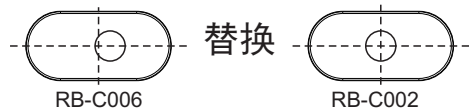
如果链条太紧，请用RB-C006替换RB-C002，且将偏心孔位朝向前轮，如下图所示。

If the chain is too tight, please replace RB-C002 with RB-C006 and make the eccentric hole direct to the front wheel.

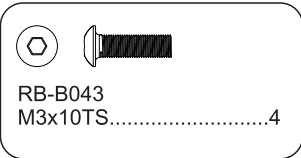


如果链条太松，请用RB-C006替换RB-C002，且将偏心孔位远离前轮，如下图所示。

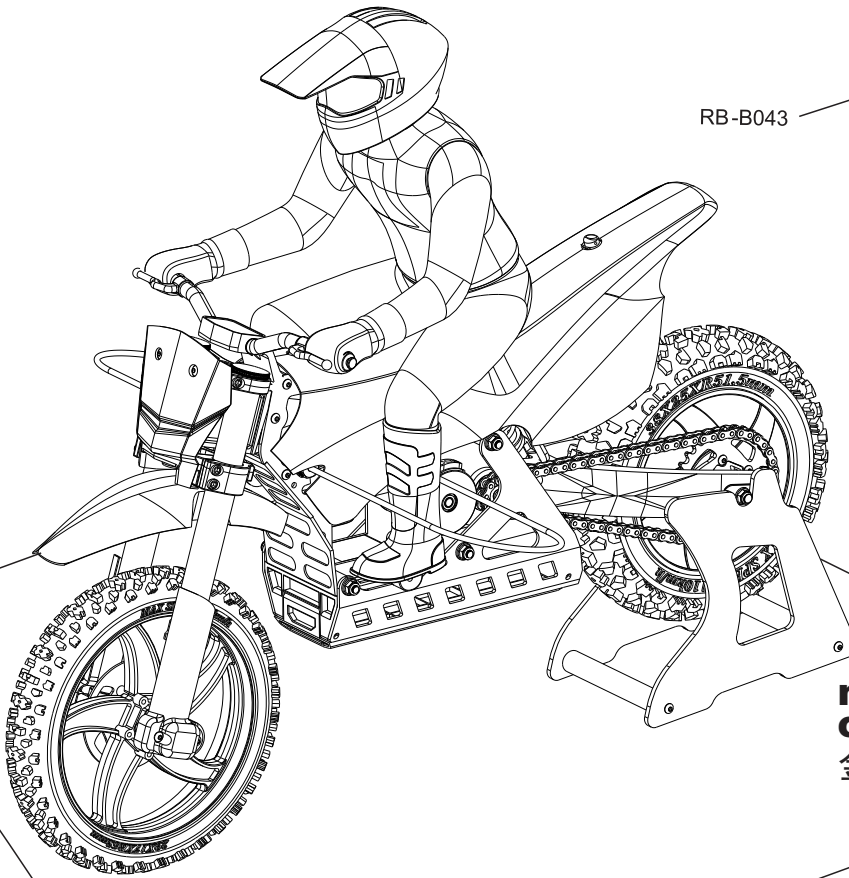
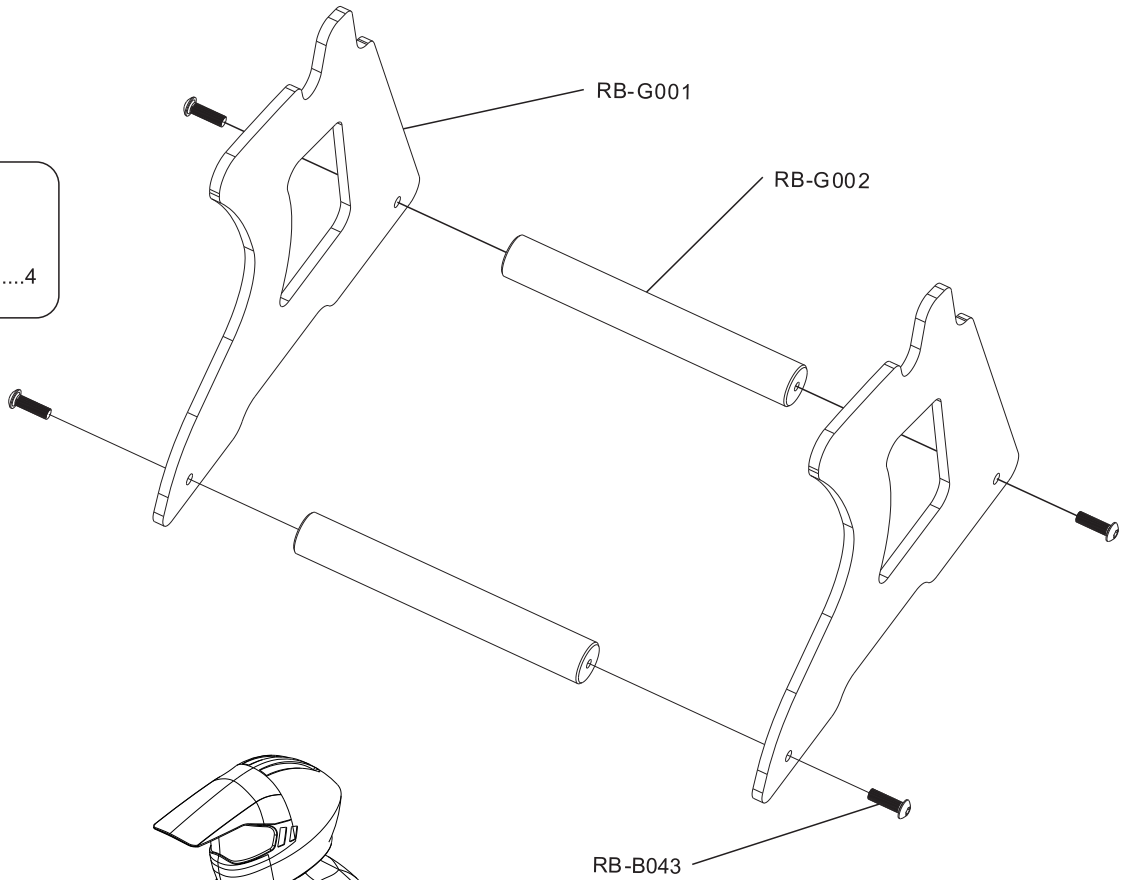
If the chain is too loose, please replace RB-C002 with RB-C006 and make the eccentric hole away from the front wheel.



Step43



RB-B043
M3x10TS.....4

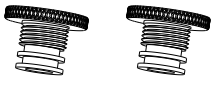
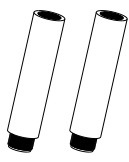
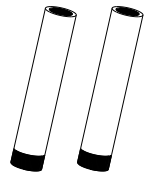
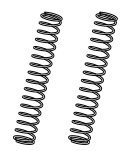
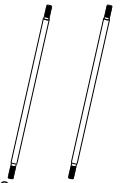

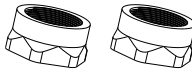
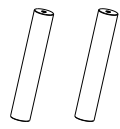
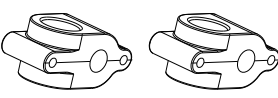
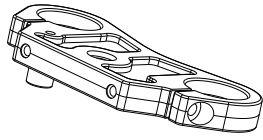

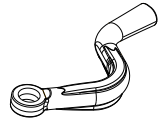
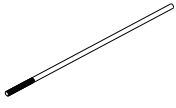
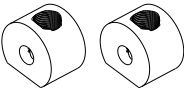
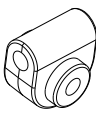
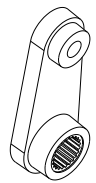
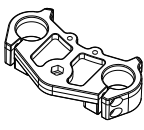


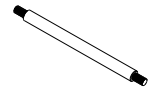
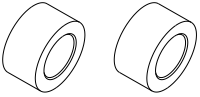
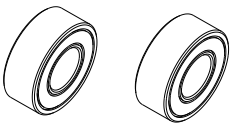

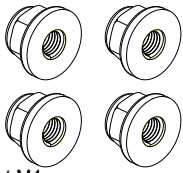



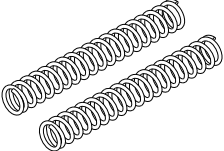




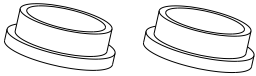

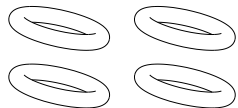


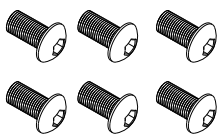
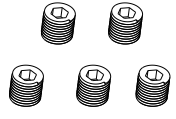
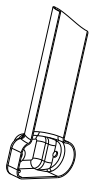
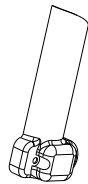
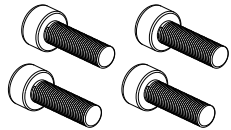
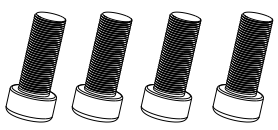
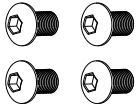
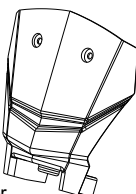

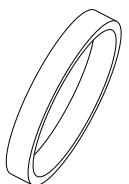
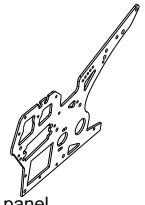
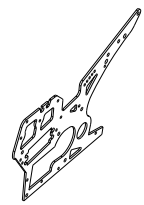
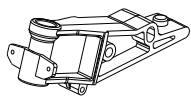
Caution: Before you power on the bike, please make sure the bike stand of the bike is not on metal or conductive surface, unless it may cause short circuit and the ESC may get burnt when the gyro starts

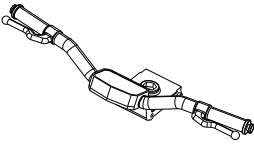
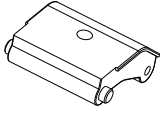
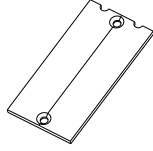
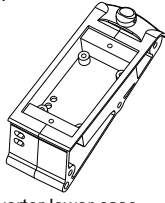
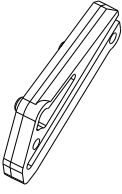
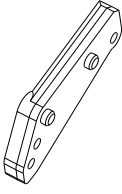
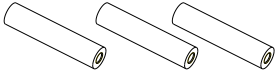
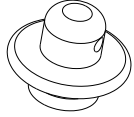
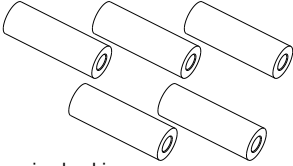
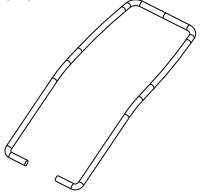
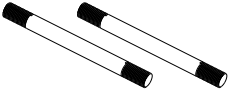
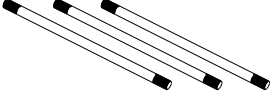
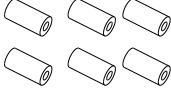
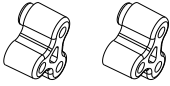
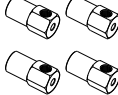
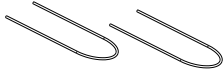
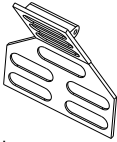
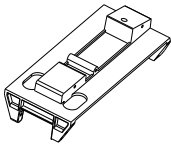
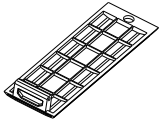
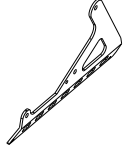
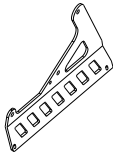
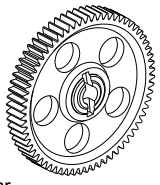
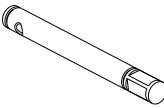
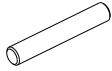
注意：摩托车通电通电之前，请确定固定底座没有放在金属或者易导电材质的桌面上，以免短路造成陀螺仪启动电调烧坏。



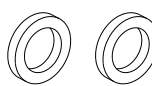
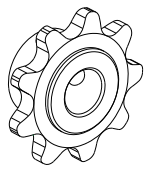
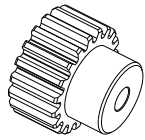
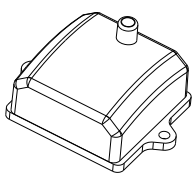
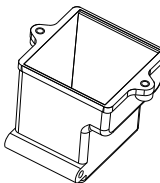
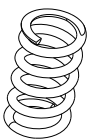

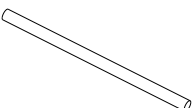

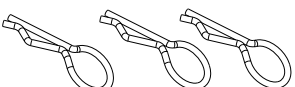
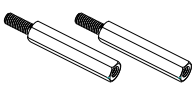
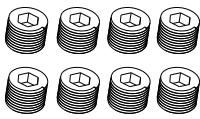
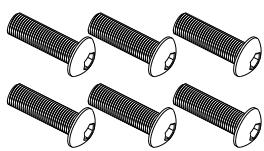
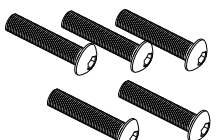
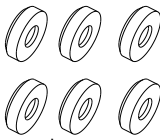
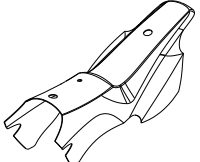

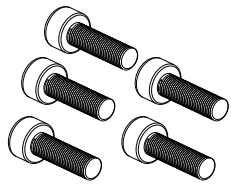
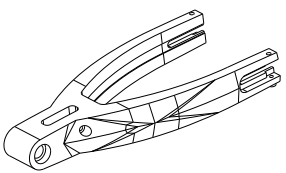
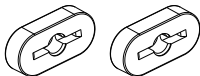
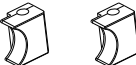

X
metal or conductor
金属或导电体

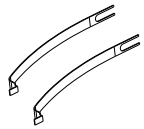
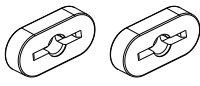
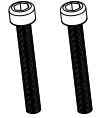
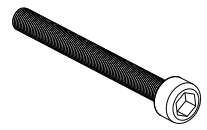

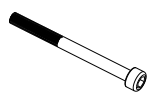
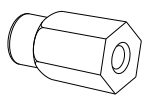
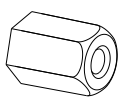


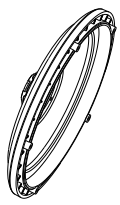
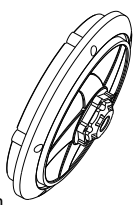
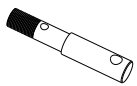
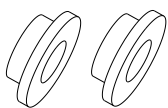
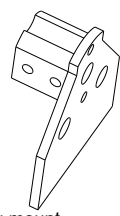
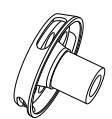
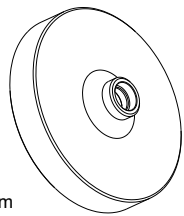
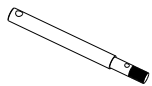


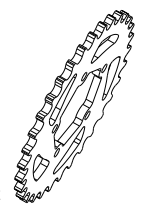

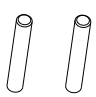
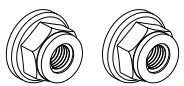
PART LIST 零件列表

<p>RB-A001 2件</p>  <p>press cap 压盖帽</p>	<p>RB-A002 2件</p>  <p>upper aluminium tube 上节铝筒</p>	<p>RB-A003 2件</p>  <p>lower aluminium tube 下节铝筒</p>	<p>RB-A004 2件</p>  <p>front shock spring 前轮减震弹簧</p>
<p>RB-A005 2件</p>  <p>shock axle 减震轴</p>	<p>RB-A006 2件</p>  <p>O-ring $\varnothing 10 \times 2 \text{Tmm}$ O型密封圈内径$\varnothing 10 \times 2 \text{Tmm}$</p>	<p>RB-A007 2件</p>  <p>Hex Press Cap 六角压帽</p>	<p>RB-A008 2件</p>  <p>chromium axle shock 减震铬棒轴</p>
<p>RB-A009 2件</p>  <p>fixed mount 固定座</p>	<p>RB-A010 1件</p>  <p>front upper suspension mount 上固定板</p>	<p>RB-A011 1件</p>  <p>steering ball stud 球头轴</p>	<p>RB-A012 1件</p>  <p>connecting rod 连杆</p>
<p>RB-A013 1件</p>  <p>servo axle 舵机拉轴</p>	<p>RB-A014 2件</p>  <p>fixed mount 固定座</p>	<p>RB-A015 1件</p>  <p>driver mount 驱动座</p>	<p>RB-A016 1件</p>  <p>swing arm A 摆臂杆A</p>
<p>RB-A017 1件</p>  <p>front lower suspension mount 下固定板</p>	<p>RB-A018 1件</p>  <p>steering axle 车头转轴</p>	<p>RB-A019 1件</p>  <p>front wheel 前轮</p>	<p>RB-A020 1件</p>  <p>front wheel axle 前轮轴</p>
<p>RB-A021 2件</p>  <p>rubber pad 胶垫</p>	<p>RB-A022 8件</p>  <p>bearing 686zz 轴承686ZZ</p>	<p>RB-A023 2件</p>  <p>brake disc 刹车盘</p>	<p>RB-A024 8件</p>  <p>lock nut M4 防松螺母M4</p>

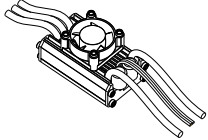
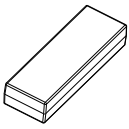
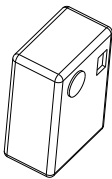

<p>RB-A025 1件</p>  <p>front tyre 前轮胎</p>	<p>RB-A026 2件</p>  <p>servo spring 舵机弹簧</p>	<p>RB-A027 1件</p>  <p>swing arm B 摆臂杆B</p>	<p>RB-A028 2件</p>  <p>oil plug 油塞</p>
<p>RB-A029 2件</p>  <p>nylon plug 尼龙塞</p>	<p>RB-A030 2件</p>  <p>sliding plug 滑塞</p>	<p>RB-A031 2件</p>  <p>n-bushing 尼龙套</p>	<p>RB-A032 4件</p>  <p>O-ring Ø3x1.8Tmm O型密封圈 Ø3x1.8Tmm</p>
<p>RB-A033 4件</p>  <p>O-ring Ø9x1.8Tmm O型密封圈 Ø9x1.8Tmm</p>	<p>RB-A034 4件</p>  <p>shim 垫片</p>	<p>RB-A035 2件</p>  <p>lock nut M3 防松螺母M3</p>	<p>RB-A036 30件</p>  <p>button head screw M3x8 圆头内六角螺丝M3x8</p>
<p>RB-A037 5件</p>  <p>stop screw 止付螺丝M4x4</p>	<p>RB-A038 1件</p>  <p>right shock protection cover 右侧减震器护罩</p>	<p>RB-A039 1件</p>  <p>left shock protection cover 左侧减震器护罩</p>	<p>RB-A040 6件</p>  <p>cup head hex screws M3x10 杯头内六角螺丝M3x10</p>
<p>RB-A041 4件</p>  <p>cup head hex screws M4x10 杯头内六角螺丝M4x10</p>	<p>RB-A042 4件</p>  <p>button head hex screws M3x6 圆头内六角螺丝M3x6</p>	<p>RB-A043 1件</p>  <p>head cover 车头罩</p>	<p>RB-A044 1件</p>  <p>front wheel cover 前轮罩</p>
<p>RB-A045 1件</p>  <p>eva shim 海绵垫</p>	<p>RB-B001 1件</p>  <p>right side panel 右侧板</p>	<p>RB-B002 1件</p>  <p>left side panel 左侧板</p>	<p>RB-B003 1件</p>  <p>chassis connector 车架连接头</p>

<p>RB-B004 1件</p>  <p>handle 车头扶手</p>	<p>RB-B005 1件</p>  <p>shock spring mount 减震弹簧压盖</p>	<p>RB-B006 1件</p>  <p>upper case DC convertor 直流转换器上壳</p>	<p>RB-B007 1件</p>  <p>DC convertor lower case 直流转换器下壳</p>
<p>RB-B008 1件</p>  <p>rear left mount 尾架左侧座</p>	<p>RB-B009 1件</p>  <p>rear right mount 尾架右侧座</p>	<p>RB-B010 3件</p>  <p>stand bar 支撑杆</p>	<p>RB-B011 1件</p>  <p>plug mount 插销座</p>
<p>RB-B012 5件</p>  <p>bearing bushing 轴套</p>	<p>RB-B013 1件</p>  <p>tail shelf axle 尾架</p>	<p>RB-B014 2件</p>  <p>fixed short axle 固定短轴</p>	<p>RB-B015 3件</p>  <p>fixed long axle 固定长轴</p>
<p>RB-B016 6件</p>  <p>bearing bushing 轴套</p>	<p>RB-B017 2件</p>  <p>servo fixed mount 舵机固定座</p>	<p>RB-B018 4件</p>  <p>balance rod screw 平衡杆螺母</p>	<p>RB-B019 2件</p>  <p>balance rod 平衡杆</p>
<p>RB-B020 1件</p>  <p>windshield 挡风板</p>	<p>RB-B021 1件</p>  <p>battery upper case 电池盒上壳</p>	<p>RB-B022 1件</p>  <p>battery lower case 电池盒下壳</p>	<p>RB-B023 1件</p>  <p>battery fixed left side panel 电池盒固定左侧板</p>
<p>RB-B024 1件</p>  <p>battery fixed right side panel 电池盒固定右侧板</p>	<p>RB-B025 1件</p>  <p>large gear 大齿轮</p>	<p>RB-B026 1件</p>  <p>gear pin 传动轴</p>	<p>RB-B027 1件</p>  <p>pin roll 齿轮销轴</p>

<p>RB-B028 2件</p>  <p>bearing mount 轴承座</p>	<p>RB-B029 2件</p>  <p>flanged bearing F696ZZ 法兰轴承F696ZZ</p>	<p>RB-B030 2件</p>  <p>copper pad 铜垫</p>	<p>RB-B031 1件</p>  <p>small sprocket 小链轮</p>
<p>RB-B032 1件</p>  <p>pinion 小齿轮</p>	<p>RB-B034 1件</p>  <p>receiver upper case 接收机上壳</p>	<p>RB-B035 1件</p>  <p>receiver lower case 接收机下壳</p>	<p>RB-B036 1件</p>  <p>shock absorbing spring 减震弹簧</p>
<p>RB-B037 3件</p>  <p>circlip M5.0 E-clip black 卡簧M5.0 E-clip 黑色</p>	<p>RB-B038 1件</p>  <p>battery case clip 电池盒销轴</p>	<p>RB-B039 2件</p>  <p>phillips countersunk head screw M2.3x6 沉头十字螺丝M2.3x6</p>	<p>RB-B040 3件</p>  <p>body clips 插销</p>
<p>RB-B041 2件</p>  <p>foolwheel 脚轴</p>	<p>RB-B042 8件</p>  <p>stop screw M5x4 止付螺丝M5x4</p>	<p>RB-B043 30件</p>  <p>button head hex screws M3x10 圆头内六角螺丝M3x10</p>	<p>RB-B044 13件</p>  <p>button head hex screws M3x14 圆头内六角螺丝M3x14</p>
<p>RB-B045 6件</p>  <p>aluminum pad 铝垫</p>	<p>RB-B046 1件</p>  <p>PET body shell 车身护罩</p>	<p>RB-B047 4件</p>  <p>cross round head tapping screws PA2.3x6 圆头十字自攻螺丝PA2.3x6</p>	<p>RB-B048 5件</p>  <p>cap head hex screws M3x12 杯头内六角螺丝M3x12</p>
<p>RB-C001 1件</p>  <p>rear wheel frame 后轮车架</p>	<p>RB-C002 2件</p>  <p>adjustment mount 1 调节座1</p>	<p>RB-C003 2件</p>  <p>gear holder 挡位座</p>	<p>RB-C004 1件</p>  <p>rubber plug 胶塞</p>

<p>RB-C005 2件</p>  <p>conductive copper slim 导电铜片</p>	<p>RB-C006 2件</p>  <p>adjustment mount 2 调节座2</p>	<p>RB-C007 2件</p>  <p>cap head hex screws M3X22 杯头内六角螺丝M3X22</p>	<p>RB-C008 1件</p>  <p>cap head hex screws M3X30 杯头内六角螺丝M3X30</p>
<p>RB-C009 1件</p>  <p>phillips countersunk head screws M3X8 沉头十字螺丝M3X8</p>	<p>RB-D001 1件</p>  <p>cap head hex screws M3X36 杯头内六角螺丝M3X36</p>	<p>RB-D002 1件</p>  <p>hex bearing bushing 1 六角轴套1</p>	<p>RB-D003 1件</p>  <p>hex bearing bushing 2 六角轴套2</p>
<p>RB-D004 1件</p>  <p>shock shield 减震器护罩</p>	<p>RB-D005 1件</p>  <p>M3 locknut with flange 防松螺母M3带法兰</p>	<p>RB-E001 1件</p>  <p>rear right rim 后轮右壳</p>	<p>RB-E002 1件</p>  <p>rea left rim 后轮左壳</p>
<p>RB-E003 1件</p>  <p>positive shaft 正极轴</p>	<p>RB-E004 2件</p>  <p>spacing bushing 间隔套</p>	<p>RB-E005 1件</p>  <p>shaft fixing mount 轴固定器</p>	<p>RB-E006 1件</p>  <p>stator cover 定子盖</p>
<p>RB-E008 1件</p>  <p>gyro rim 陀螺仪飞轮</p>	<p>RB-E009 1件</p>  <p>negative shaft 负极轴</p>	<p>RB-E010 2件</p>  <p>bearing696ZZ 轴承696ZZ</p>	<p>RB-E011 2件</p>  <p>Ø6xØ8x0.6Tmm</p>
<p>RB-E012 1件</p>  <p>sprocket 大链轮</p>	<p>RB-E013 1件</p>  <p>rear tyre 后轮胎</p>	<p>RB-E014 2件</p>  <p>pin shaft φ2x13.5mm 销轴φ2x13.5mm</p>	<p>RB-E015 2件</p>  <p>locknut M5 防松螺母M5</p>

<p>RB-E016 1件</p>  <p>chain 25H 68bit 链条 25H 68节</p>	<p>RB-E017 2件</p>  <p>Shim Ø5xØ7x0.5mm 垫片 Ø5xØ7x0.5mm</p>	<p>RB-E018 1件</p>  <p>EVA shim 海绵垫</p>	<p>RB-E019 2件</p>  <p>cap head hex screws M3X6 杯头内六角螺丝M3X6</p>
<p>RB-E020 1件</p> 	<p>RB-E021 12件</p> 	<p>RB-F001 1件</p>  <p>shock cap 减震器帽</p>	<p>RB-F002 1件</p>  <p>shock tube 减震筒</p>
<p>RB-F003 1件</p>  <p>oil plug 油塞</p>	<p>RB-F004 1件</p>  <p>oil seal plug 油封塞</p>	<p>RB-F005 2件</p>  <p>O-ring Ø3.5x1.8Tmm O型密封圈Ø3.5x1.8Tmm</p>	<p>RB-F006 1件</p>  <p>shock tube bushing 减震筒套</p>
<p>RB-F007 1件</p>  <p>spring mount 弹簧座</p>	<p>RB-F008 1件</p>  <p>seal bushing 密封套</p>	<p>RB-F009 1件</p>  <p>seal cover 密封盖</p>	<p>RB-F010 1件</p>  <p>seal rubber cover 密封橡胶盖</p>
<p>RB-F011 1件 RB-F012 1件</p>  <p>shock mount 减震轴/座</p>	<p>RB-F013 1件</p>  <p>shock spring 避震弹簧</p>	<p>RB-F014 1件</p>  <p>M2.5 locknut without flange 防松螺母M2.5不带法兰</p>	<p>RB-F015 2件</p>  <p>plug pad 塞垫</p>
<p>RB-G001 2件</p>  <p>frame plate 支架板</p>	<p>RB-G002 2件</p>  <p>frame shaft 支架轴 (尼龙材料)</p>	<p>RB-H001 1件</p>  <p>servo 舵机</p>	<p>RB-H002 1件</p>  <p>motor 马达</p>

<p>RB-H003 1件</p>  <p>ESC 电调</p>	<p>RB-H004 1件</p>  <p>battery 电池</p>	<p>RB-H005 1件</p>  <p>receiver 接收机</p>	<p>RB-H006 1件</p>  <p>rider 骑士</p>

Parts No.	QTY.	Description	Parts No.	QTY.	Description
RB-A001	2	press cap 压盖帽	RB-A030	2	sliding plug 滑塞
RB-A002	2	upper aluminium tube 上节铝筒	RB-A031	2	nbushing 尼龙套
RB-A003	2	lower Aaluminium tube 下节铝筒	RB-A032	4	O-ring O型密封圈
RB-A004	2	front shock spring 前轮减震弹簧	RB-A033	4	O-ring O型密封圈
RB-A005	2	shock axle 减震轴	RB-A034	2	shim 垫片
RB-A006	2	O-ring O型密封圈内径	RB-A035	2	lock nut M3 防松螺母M3
RB-A007	2	hex press cap 六角压帽	RB-A036	30	button head screw M3x8 圆头内六角螺丝M3x8
RB-A008	2	chromium axle shock 减震铬棒轴	RB-A037	5	stop screw 止付螺丝M4x4
RB-A009	2	fixed mount 固定座	RB-A038	1	right shock protection cover 右侧减震器护罩
RB-A010	1	front upper suspension mount 上固定板	RB-A039	1	left shock protection cover 左侧减震器护罩
RB-A011	1	steering ball stud 球头轴	RB-A040	6	cup head hex screws M3x10 杯头内六角螺丝M3x10
RB-A012	1	connecting rod 连杆	RB-A041	4	cup head hex screws M4x10 杯头内六角螺丝M4x10
RB-A013	1	servo axle 舵机拉轴	RB-A042	4	button head hex screws M3x6 圆头内六角螺丝M3x6
RB-A014	2	fixed mount 固定座	RB-A043	1	head cover 车头罩
RB-A015	1	driver mount 驱动座	RB-A044	1	front wheel cover 前轮罩
RB-A016	1	swing arm A 摆臂杆A	RB-A045	1	eva shim 海绵垫
RB-A017	1	front lower suspension mount 下固定板	RB-B001	1	right side panel 右侧板
RB-A018	1	steering axle 车头转轴	RB-B002	1	left side panel 左侧板
RB-A019	1	front wheel 前轮	RB-B003	1	chassis connector 车架连接头
RB-A020	1	front wheel axle 前轮轴	RB-B004	1	handle 车头扶手
RB-A021	2	rubber pad 胶垫	RB-B005	1	shock spring mount 减震弹簧压盖
RB-A022	8	bearing 686zz 轴承686ZZ	RB-B006	1	upper case DC convertor 直流转换器上壳
RB-A023	2	brake disc 刹车盘	RB-B007	1	DC convertor lower case 直流转换器下壳
RB-A024	8	lock nut M4 防松螺母M4	RB-B008	1	rear left mount 尾架左侧座
RB-A025	1	front tyre 前轮胎	RB-B009	1	rear right mount 尾架右侧座
RB-A026	2	servo spring 舵机弹簧	RB-B010	3	stand bar 支撑杆
RB-A027	1	swing arm B 摆臂杆B	RB-B011	1	plug mount 插销座
RB-A028	2	oil plug 油塞	RB-B012	5	bearing bushing 轴套
RB-A029	2	nylon plug 尼龙塞	RB-B013	1	tail shelf axle 尾架

Parts No.	QTY.	Description	Parts No.	QTY.	Description
RB-B014	2	fixed short axle 固定短轴	RB-B043	30	button head hex screws M3x10 圆头内六角螺丝M3x10
RB-B015	3	fixed long axle 固定长轴	RB-B044	13	button head hex screws M3x14 圆头内六角螺丝M3x14
RB-B016	6	bearing bushing 轴套	RB-B045	6	aluminum pad 铝垫
RB-B017	2	servo fixed mount 舵机固定座	RB-B046	1	PET body shell 车身护罩
RB-B018	4	balance rod screw 平衡杆螺母	RB-B047	4	cross round head tapping screws PA2.3x6 圆头十字自攻螺丝PA2.3x6
RB-B019	2	balance rod 平衡杆	RB-B048	5	cap head hex screws M3x12 杯头内六角螺丝M3x12
RB-B020	1	windshield 挡风板	RB-C001	1	rear wheel frame 后轮车架
RB-B021	1	battery upper case 电池盒上壳	RB-C002	2	adjustment mount 1 调节座1
RB-B022	1	battery lower case 电池盒下壳	RB-C003	2	gear holder 挡位座
RB-B023	1	battery fixed left side panel 电池盒固定左侧板	RB-C004	1	rubber plug 胶塞
RB-B024	1	battery fixed right side panel 电池盒固定右侧板	RB-C005	2	conductive copper slim 导电铜片
RB-B025	1	large gear 大齿轮	RB-C006	2	adjustment mount 2 调节座2
RB-B026	1	gear pin 传动轴	RB-C007	1	cap head hex screws M3X22 杯头内六角螺丝M3X22
RB-B027	1	pin roll 齿轮销轴	RB-C008	1	cap head hex screws M3X30 杯头内六角螺丝M3X30
RB-B028	2	bearing mount 轴承座	RB-C009	1	phillips countersunk head screws M3X8 沉头十字螺丝M3X8
RB-B029	2	flanged bearing F696ZZ 法兰轴承F696ZZ	RB-D001	1	cap head hex screws M3X36 杯头内六角螺丝M3X36
RB-B030	2	copper pad 铜垫	RB-D002	1	hex bearing bushing 1 六角轴套1
RB-B031	1	small sprocket 小链轮	RB-D003	1	hex bearing bushing 2 六角轴套2
RB-B032	1	pinion 小齿轮	RB-D004	1	shock shield 减震器护罩
RB-B033	1	front wheel axle 前轮轴	RB-D005	1	M3 locknut with flange 防松螺母M3带法兰
RB-B034	1	receiver upper case 接收机上壳	RB-E001	1	rear right rim 后轮右壳
RB-B035	1	receiver lower case 接收机下壳	RB-E002	1	rear left rim 后轮左壳
RB-B036	1	shock absorbing spring 减震弹簧	RB-E003	1	positive shaft 正极轴
RB-B037	3	circlip M5.0 E-clip black 卡簧M5.0 E-clip 黑色	RB-E004	2	spacing bushing 间隔套
RB-B038	1	battery case clip 电池盒销轴	RB-E005	1	shaft fixing mount 轴固定器
RB-B039	2	phillips countersunk head screw M2.3x6 head 沉头十字螺丝M2.3x6	RB-E006	1	stator cover 定子盖
RB-B040	3	body clips 插销	RB-E008	1	gyro rim 陀螺仪飞轮
RB-B041	2	foolwheel 脚轴	RB-E009	1	negative shaft 负极轴
RB-B042	8	stop screw M5x4 止付螺丝M5x4	RB-E010	2	bearing696ZZ 轴承696ZZ

Parts No.	QTY.	Description	Parts No.	QTY.	Description
RB-E011	2	shim Ø6xØ8x0.6Tmm 内径 φ6外径 φ8 厚T=0.6mm	RB-F008	1	seal bushing 密封套
RB-E012	1	sprocket 大链轮	RB-F009	1	seal cover 密封盖
RB-E013	1	rear tyre 后轮胎	RB-F010	1	seal rubber cover 密封橡胶盖
RB-E014	2	pin shaft φ2x13.5mm 销轴 φ2x13.5mm	RB-F011	1	shock axle 减震轴
RB-E015	2	locknut M5 防松螺母M5	RB-F012	1	shock mount 减震座
RB-E016	1	chain 25H 68bit 链条 25H 68节	RB-F013	1	shock spring 避震弹簧
RB-E017	1	shim Ø5xØ7x0.5Tmm 垫片内径 φ5外径 φ7厚度0.5mm	RB-F014	2	M2.5 locknut without flange 防松螺母M2.5不带法兰
RB-E018	1	EVA shim 海绵垫	RB-F015	2	plug pad 塞垫
RB-E019	1	cap head hex screws M3X6 杯头内六角螺丝M3X6	RB-G001	2	frame plate 支架板
RB-F001	1	shock cap 减震器帽	RB-G002	2	frame shaft 支架轴 (尼龙材料)
RB-F002	1	shock tube 减震筒	RB-H001	1	servo 舵机
RB-F003	1	oil plug 油塞	RB-H002	1	motor 马达
RB-F004	1	oil seal plug 油封塞	RB-H003	1	ESC 电调
RB-F005	2	O-ring O型密封圈	RB-H004	1	battery 电池
RB-F006	1	shock tube bushing 减震筒套	RB-H005	1	receiver 接收机
RB-F007	1	spring mount 弹簧座	RB-H006	1	spare dummy 骑士

TROUBLE SHOOTING 疑难解答

Problem 1 The motorbike does not move.

Cause

- 1) Battery in motorbike or transmitter is no power.
- 2) Motor may be broken.
- 3) ESC does not work.
- 4) The setting of transmitter or ESC may be wrong.

Problem 2 The model is out of control.

Cause

- 1) Transmitter or antenna may be broken.
- 2) The motorbike may be out of range from transmitter.
- 3) Power of the transmitter is weak or dead.

Problem 3 Short run time.

Cause

- 1) Battery may be damaged.
- 2) Charger may be damaged.
- 3) Battery is not with full power.

Problem 4 Poor performance of the motorbike.

Cause

- 1) Suspension may not run freely.
- 2) The steering may be damaged.
- 3) Chain may be too loose or too tight.
- 4) Rear wheel may not adjust straight.

1. 问题：摩托车没有动力。

原因分析：

- 1) 摩托车电池或者遥控器电池损坏。
- 2) 马达损坏。
- 3) 电调不工作。
- 4) 遥控或电调设置错误。

2. 问题：摩托车不受控制。

原因分析：

- 1) 遥控器或天线损坏。
- 2) 摩托车跑出遥控器控制范围。
- 3) 遥控器没电或电池电量不足。

3. 问题：摩托车跑动时间短。

原因分析：

- 1) 电池可能损坏。
- 2) 充电器可能损坏。
- 3) 电池未充饱。

4. 问题：摩托车性能低。

原因分析：

- 1) 避震器缓冲功能存在问题。
- 2) 舵机损坏。
- 3) 摩托车链条过松，或过紧。
- 4) 后轮方向未调整正确。

WARRANTY 保修条款

Each kit is inspected and adjusted carefully before leaving our factory and we guarantee the kit be free of material defects and workmanship faults. We will repair the kit for customer free of charge within 90 days after the purchase date.

The warranty doesn't cover crash damage, modification, failure to maintenance, or the damaged caused by improper use.

The warranty doesn't cover any result which caused by final user's assembly or the material used for final user's assembly.

每辆摩托车出厂之前都经过严格的测试及调试，我公司保证，客户购买的产品打开包装后，无任何材料及工艺方面的问题。购买之日90天内，我公司将免费为客户维修。

由于碰撞，翻车，用户自行更改配置，疏于保养或者任何不当使用引起的损坏，将不在保修范围内。

由终端用户自行安装或自行安装所使用的材料所引起的任何问题，亦不属于保修范围。

SUPER RIDER

**MAKE YOUR HEART RACING AND
YOUR BLOOD BOILING ...**

SKYRC 

All specifications and figures are subject to change without notice.

本公司有权在不通知的情况下变更产品设计，外观，性能及使用要求。



Manufactured by
SKYRC TECHNOLOGY CO., LTD.
天空创新科技(深圳)有限公司
www.skyrc.com
Printed in China 7504-0270-01